

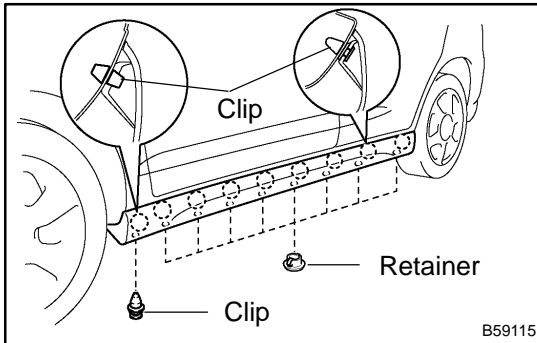
# SIDE MUDGUARD SUB-ASSY LH

## REPLACEMENT

760IE-01

### HINT:

- Installation is in the reverse order of the removal. But the installation is indicated only when it has a point.
- In the RH side, work in the same procedure as in the LH side.



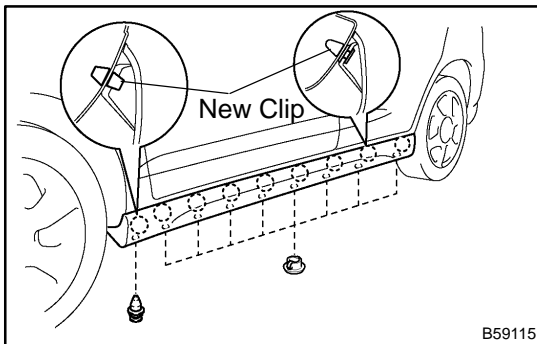
### 1. REMOVE SIDE MUDGUARD SUB-ASSY LH

- Remove the clip and 8 retainers.
- Using a screwdriver, remove the side mudguard.

### HINT:

Tape the screwdriver tip before use.

- Remove the 9 clips from the side mudguard.



### 2. INSTALL SIDE MUDGUARD SUB-ASSY LH

- Install new 9 clips to the side mudguard.