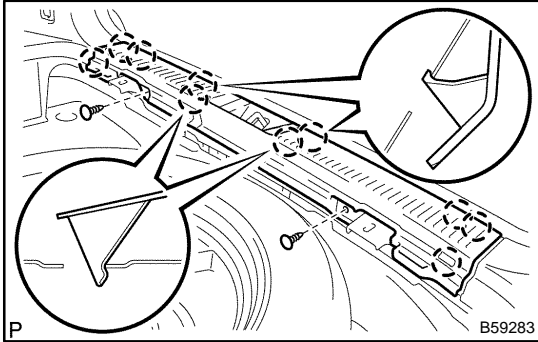


REPLACEMENT

HINT:

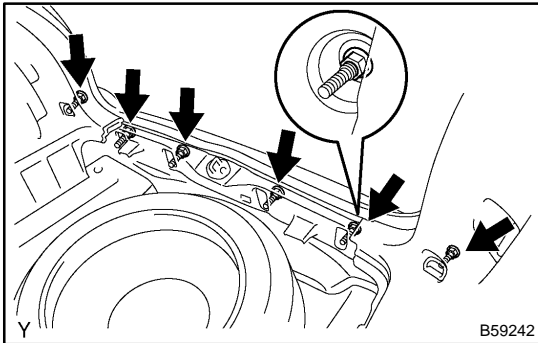
Installation is in the reverse order of the removal. But the installation is indicated only when it has a point.

1. REMOVE DECK BOARD SUB-ASSY



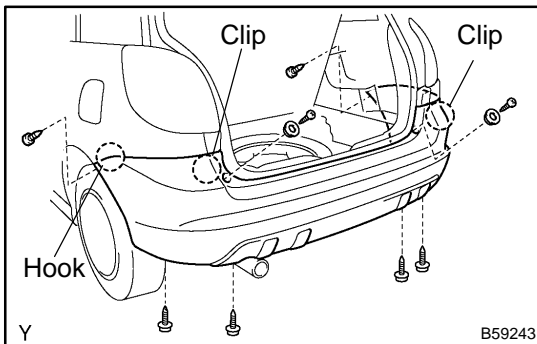
2. REMOVE DECK TRIM COVER REAR

- (a) Remove the 2 clips.
- (b) Using a moulding remover, remove the deck trim cover rear.



3. REMOVE REAR BUMPER COVER

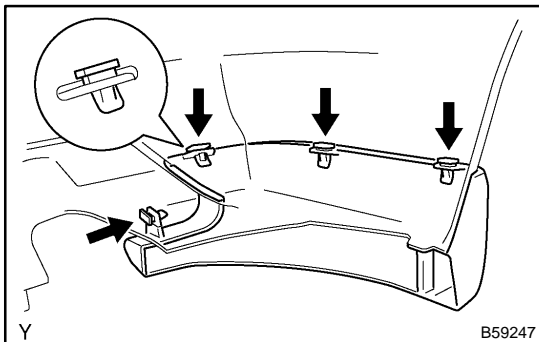
- (a) Remove the 6 nuts.
- (b) Remove the 4 clips and 4 screws.
- (c) Disengage the hook and clips, and remove the rear bumper cover.



4. REMOVE REAR BUMPER ENERGY ABSORBER

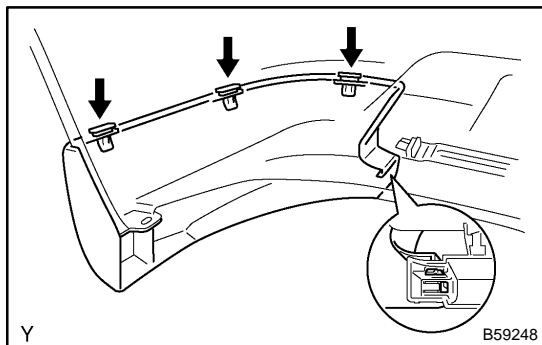
5. REMOVE REAR BUMPER BAR REINFORCEMENT CENTER

- (a) Remove the rear bumper bar reinforcement from the rear bumper energy absorber.



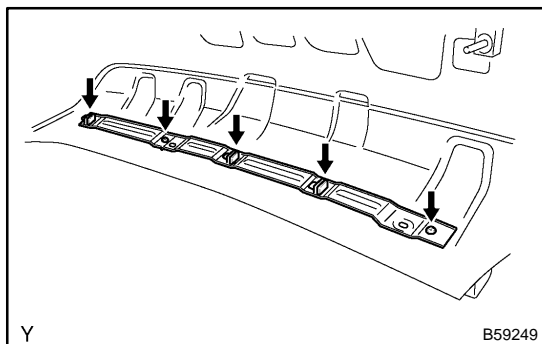
6. REMOVE REAR BUMPER SPOILER LH (W/ REAR SPOILER)

- (a) Remove the 4 retainers and rear bumper spoiler LH.



7. REMOVE REAR BUMPER SPOILER RH (W/ REAR SPOILER)

- (a) Remove the 3 retainers.
- (b) Disengage the hook and remove the rear bumper spoiler RH.



8. REMOVE REAR SPOILER (W/ REAR SPOILER)

- (a) Remove the 3 retainers, 2 screws, rear spoiler retainer and rear spoiler.

9. REMOVE BUMPER MOULDING SET BOLT NO.1

10. REMOVE REAR BUMPER REINFORCEMENT NO.1

- (a) Remove the 4 nuts and rear bumper reinforcement No.1.

11. REMOVE REAR BUMPER REINFORCEMENT NO.5

- (a) Remove the 4 clips and 2 rear bumper reinforcements No.5 from the rear bumper reinforcement No.1.

12. REMOVE REAR BUMPER ARM LH

- (a) Remove the 3 bolts and rear bumper arm LH.
- (b) Employ the same manner described above to the other side.

13. INSTALL REAR BUMPER ARM LH

- (a) Install the rear bumper arm LH with the 3 bolts.

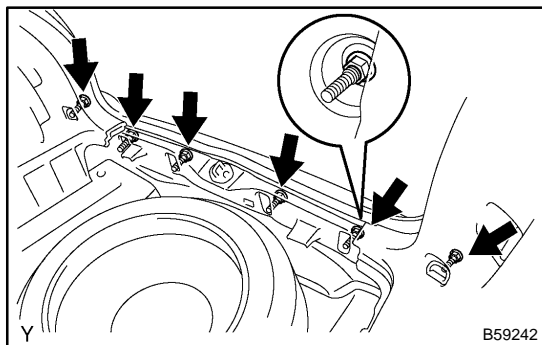
Torque: 36 N·m (367 kgf·cm, 27 ft·lbf)

- (b) Employ the same manner described above to the other side.

14. INSTALL REAR BUMPER REINFORCEMENT NO.1

- (a) Install the rear bumper reinforcement No.1 with the 4 nuts.

Torque: 36 N·m (367 kgf·cm, 27 ft·lbf)



15. INSTALL REAR BUMPER COVER

- (a) Install the rear bumper cover with the 4 clips, 4 screws and 6 nuts.

Torque: 5.5 N·m (55 kgf·cm, 47 in·lbf) for nuts