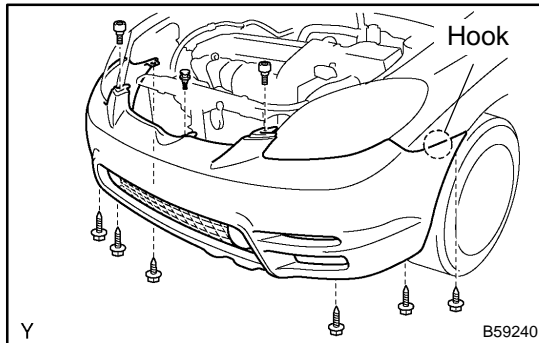


REPLACEMENT

HINT:

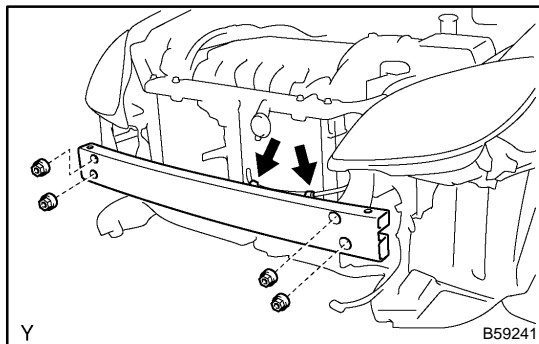
Installation is in the reverse order of the removal. But the installation is indicated only when it has a point.



1. REMOVE FRONT BUMPER COVER

- (a) Remove the 6 screws, 2 bolts and clip.
- (b) Disengage the hook and remove the front bumper cover.
- (c) w/ Fog light:
Disconnect the fog light connectors.
- (d) Remove the front bumper hole cover LH and RH.

2. REMOVE FRONT BUMPER ENERGY ABSORBER

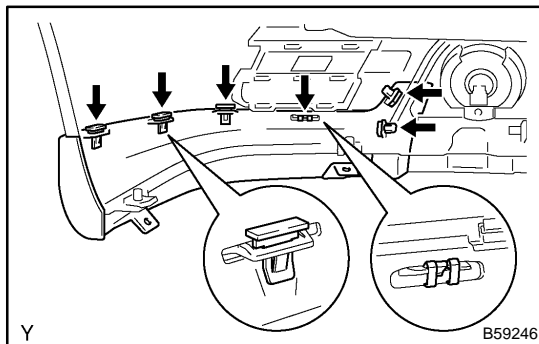


3. REMOVE FRONT BUMPER REINFORCEMENT

- (a) Disconnect the 2 connector clamps.
- (b) Remove the 4 nuts and front bumper reinforcement.

4. REMOVE FRONT BUMPER SIDE MOUNTING BRACKET LH

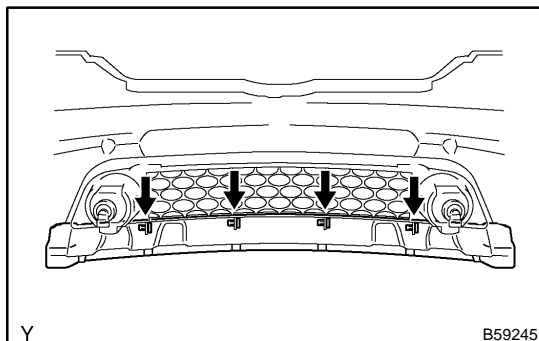
5. REMOVE FRONT BUMPER SIDE MOUNTING BRACKET RH



6. REMOVE FRONT SPOILER COVER LH (W/ FRONT SPOILER)

- (a) Remove the 5 retainers.
- (b) Disengage the clip and remove the front spoiler cover LH.
- (c) Employ the same manner described above to the other side.

7. REMOVE FRONT SPOILER COVER RH (W/ FRONT SPOILER)



8. REMOVE FRONT CENTER SPOILER SUB-ASSY (W/ FRONT SPOILER)

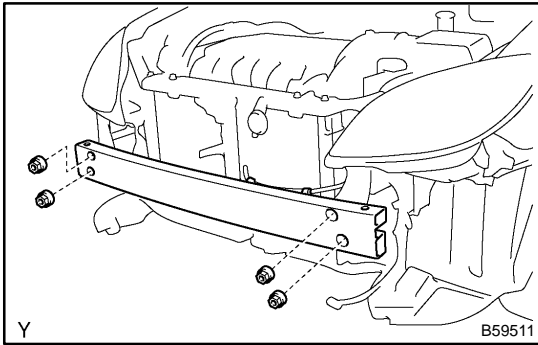
- (a) Remove the 4 retainers and front center spoiler.

9. REMOVE FOG LIGHT UNIT LH (W/ FOG LIGHT)

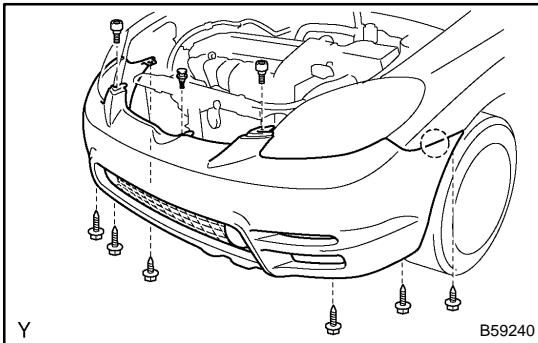
10. REMOVE FOG LIGHT UNIT RH (W/ FOG LIGHT)

11. REMOVE FRONT BUMPER HOLE COVER LH (W/O FOG LIGHT)

12. REMOVE FRONT BUMPER HOLE COVER RH (W/O FOG LIGHT)

**13. INSTALL FRONT BUMPER REINFORCEMENT**

- (a) Install the front bumper reinforcement with the 4 nuts.
Torque: 36 N·m (367 kgf·cm, 27 ft·lbf) for nuts

**14. INSTALL FRONT BUMPER COVER**

- (a) Install the front bumper cover with the 6 screws, clip and 2 bolts.
Torque: 5.0 N·m (51 kgf·cm, 44 in·lbf) for bolts