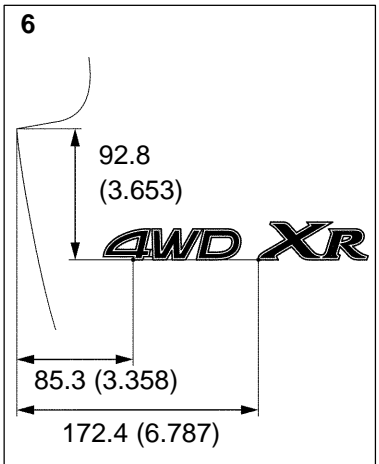
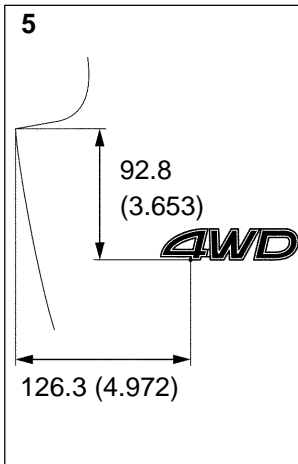
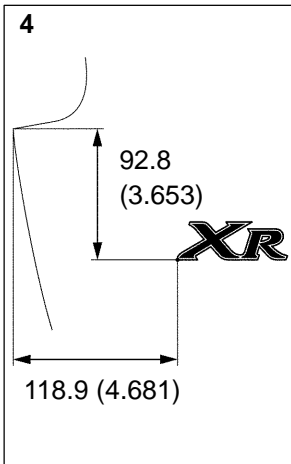
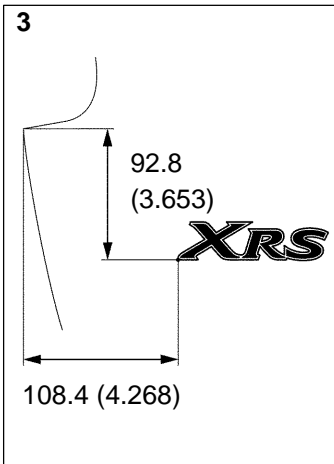
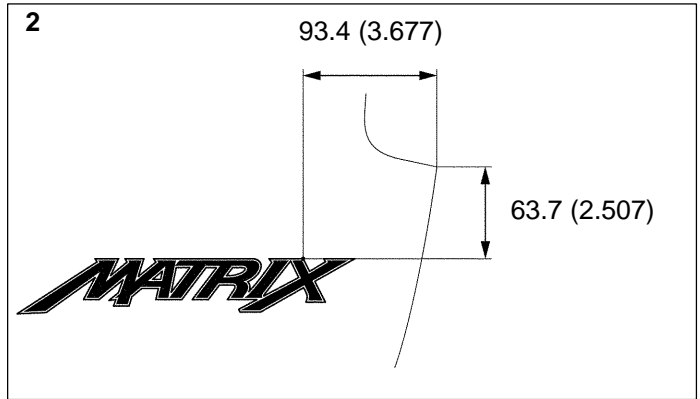
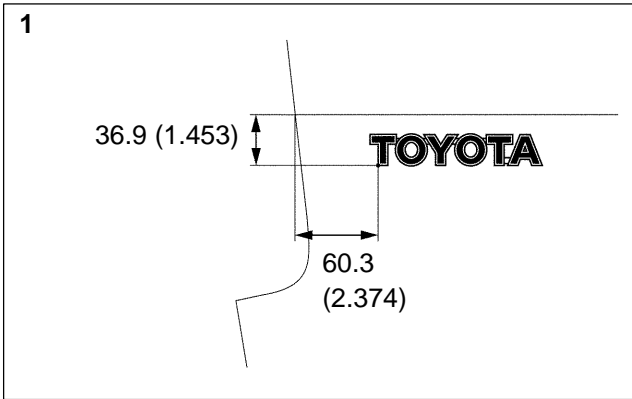
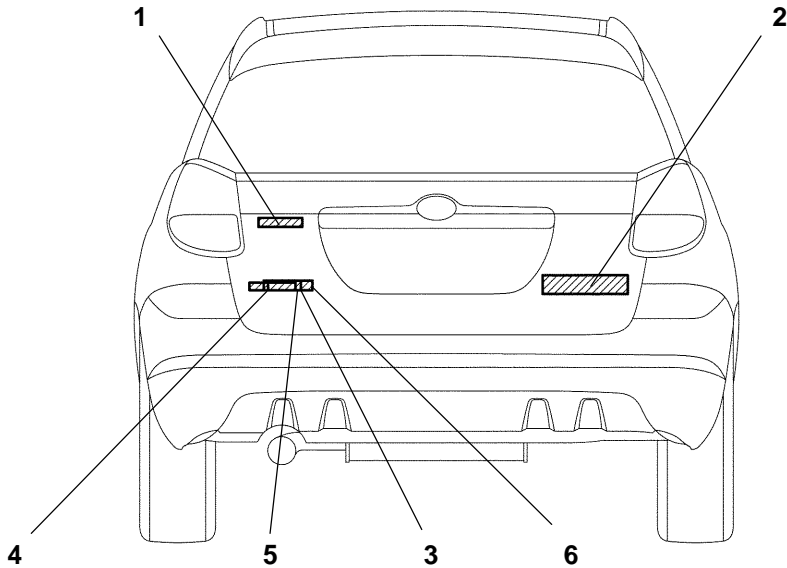


NAME PLATE REPLACEMENT

760IG-01



mm (in.)

P

B59116