

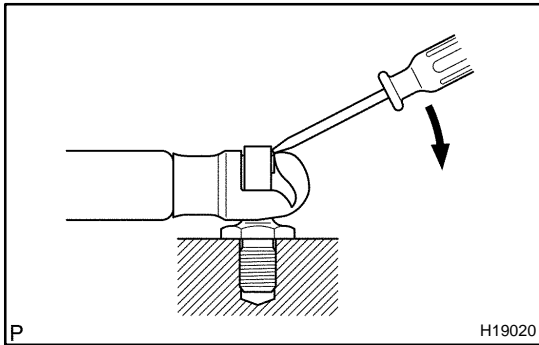
BACK DOOR STAY ASSY LH

REPLACEMENT

750DV-01

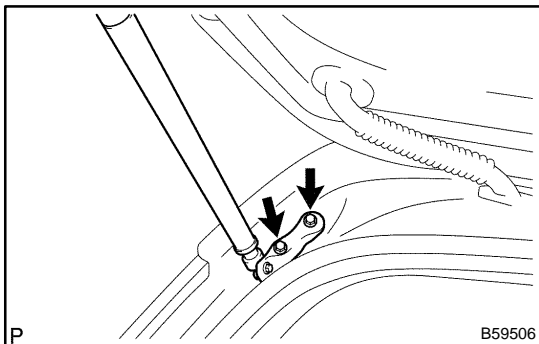
HINT:

- Installation is in the reverse order of the removal. But, the installation is indicated only when it has a point.
- In the RH side, work in the same procedure as in the LH side.



1. REMOVE BACK DOOR STAY ASSY LH

- (a) Using a screwdriver, remove the back door stay from the back door panel.



- (b) Remove the 2 bolts and back door stay with the stay bracket from the body.

HINT:

While supporting the back door with your hand, remove the back door stay.

- (c) Using a screwdriver, remove the back door stay from the bracket.

2. INSTALL BACK DOOR STAY ASSY LH

- (a) Install the back door stay with the 2 bolts.
Torque: 7.0 N·m (71 kgf·cm, 62 in.-lbf)