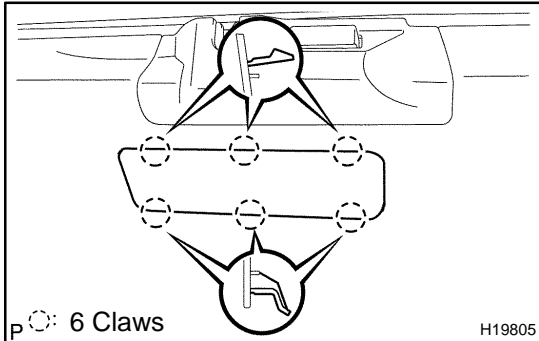


OVERHAUL

HINT:

Installation is in the reverse order of the removal.

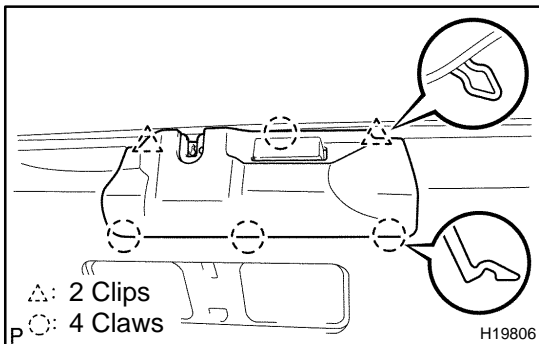


1. REMOVE LICENSE PLATE LAMP SERVICE COVER

- (a) Using a screwdriver, remove the cover.

HINT:

Tape the screwdriver tip before use.



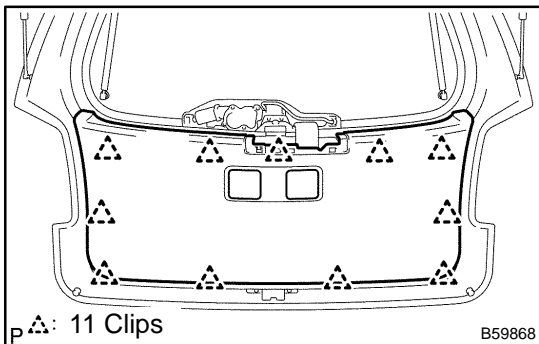
2. REMOVE BACK DOOR LOCK COVER

- (a) Using a screwdriver, remove the cover.

HINT:

Tape the screwdriver tip before use.

3. REMOVE DOOR PULL HANDLE



4. REMOVE BACK DOOR TRIM BOARD ASSY

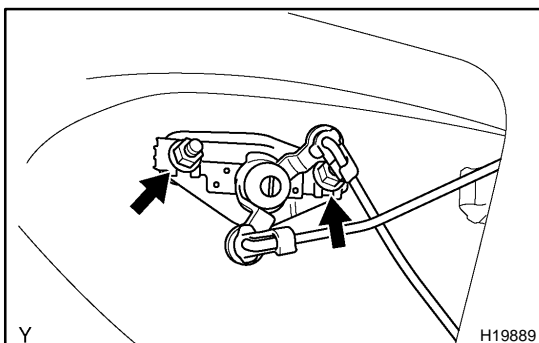
- (a) Using a screwdriver, remove the back door trim board.

HINT:

Tape the screwdriver tip before use.

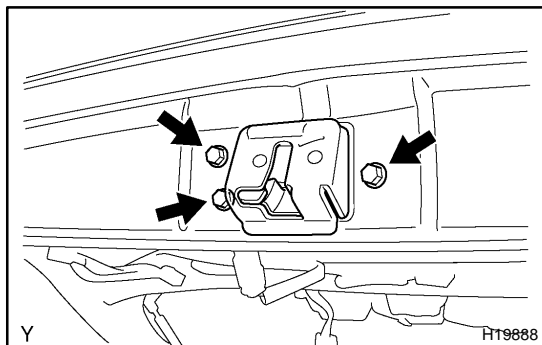
5. REMOVE REAR WIPER ARM ASSY (See page 66-11)

6. REMOVE REAR WIPER MOTOR ASSY (See page 66-11)



7. REMOVE BACK DOOR LOCK CYLINDER & KEY SET

- (a) Disconnect the 2 links from the door lock cylinder.
(b) Remove the 2 nuts and door lock cylinder.



8. REMOVE BACK DOOR LOCK ASSY

- (a) Remove the 3 bolts and the back door lock assembly, and then disconnect the connector and link.
Torque: 7.0 N·m (71 kgf·cm, 62 in.-lbf)
- (b) Remove the 3 screws and back door lock actuator assembly from the back door lock assembly.

9. REMOVE LICENSE PLATE LAMP ASSY

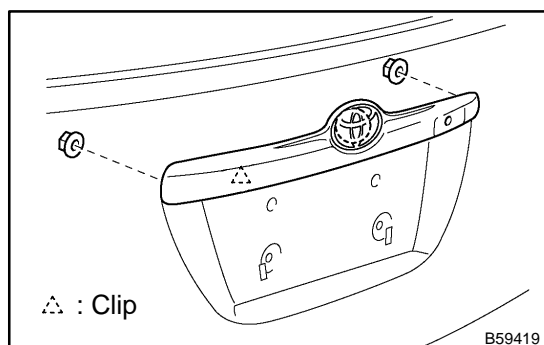
- (a) Remove the 2 license plate lamps, and then disconnect the connectors.

HINT:

Tape the screwdriver tip before use.

10. REMOVE BACK DOOR OUTSIDE HANDLE

- (a) Remove the 2 nuts and back door outside handle, and then disconnect the connector.
Torque: 4.0 N·m (41 kgf·cm, 35 in.-lbf)



11. REMOVE BACK DOOR GARNISH SUB-ASSY OUTSIDE

- (a) Remove the 2 nuts and back door outside garnish.
- (b) Using a screwdriver, remove the back door outside garnish.
Torque: 4.0 N·m (41 kgf·cm, 35 in.-lbf)

12. REMOVE CENTER STOP LAMP ASSY

- (a) Remove the 2 clips and center stop lamp cover.
- (b) Remove the 2 screws and stop lamp, and then disconnect the connector.
- (c) Remove the 2 nuts and center stop lamp cover.