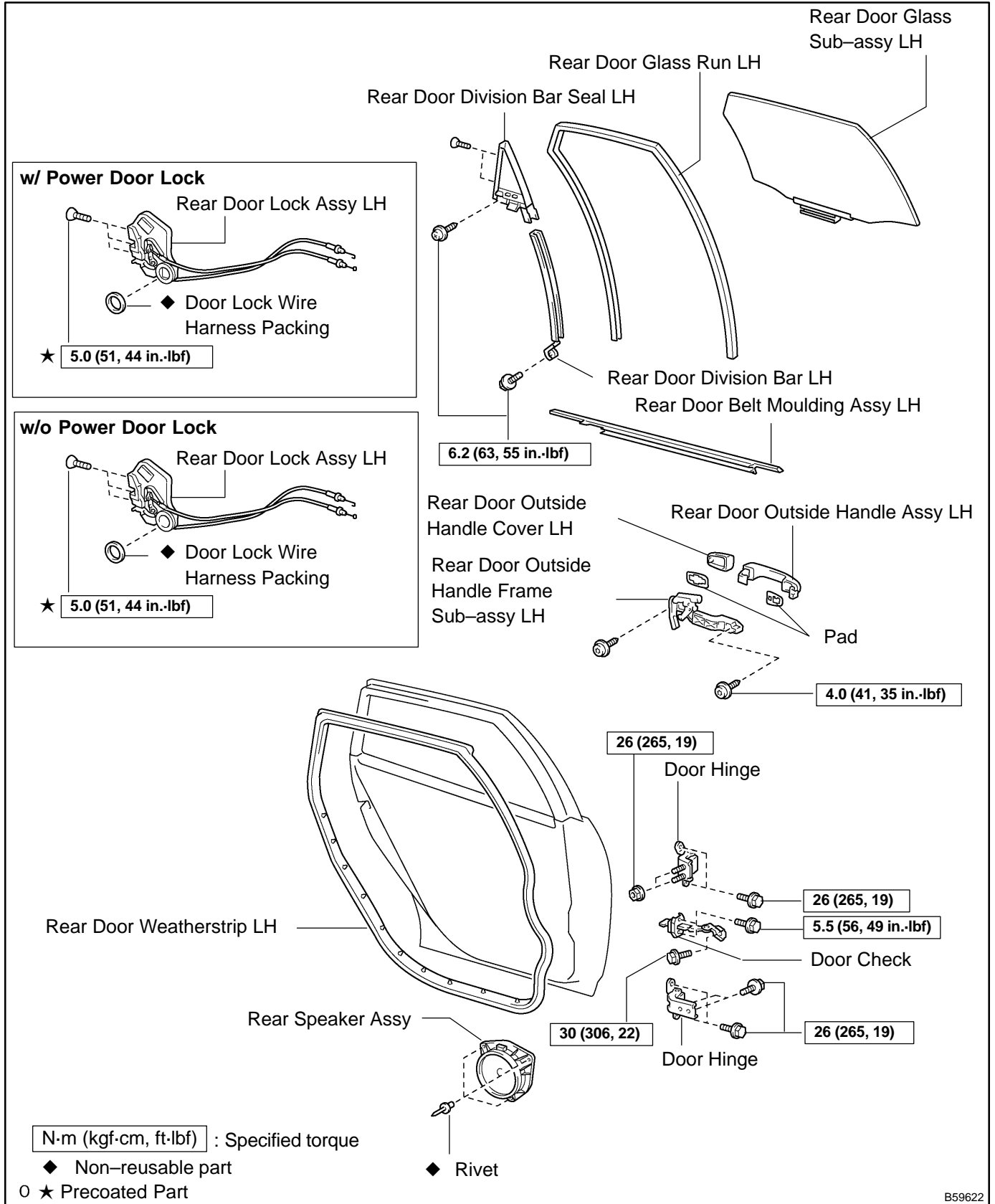


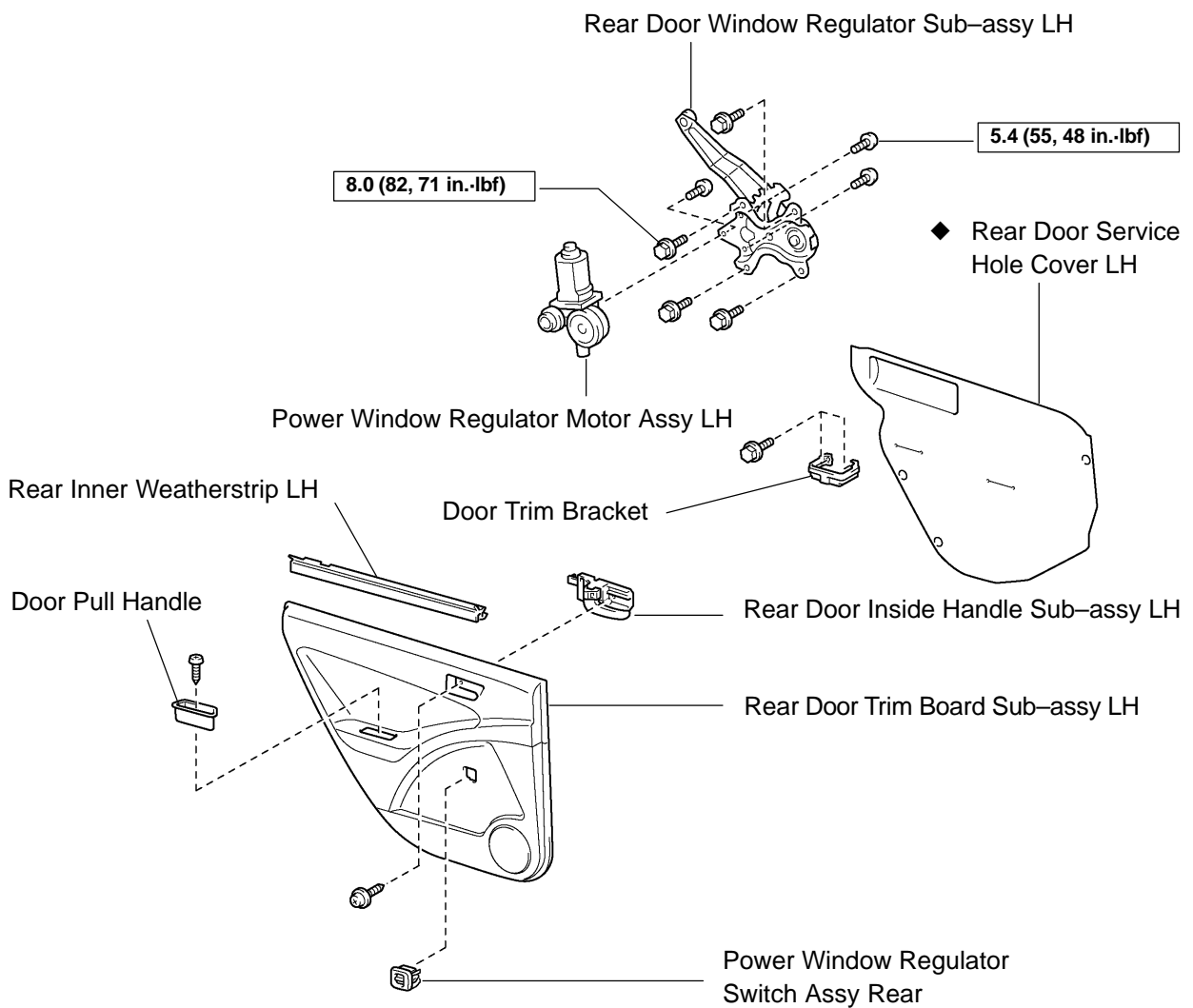
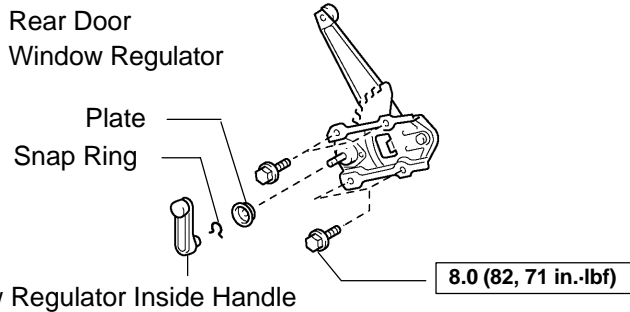
REAR DOOR COMPONENTS

750DP-01



B59622

w/o Power Window



N·m (kgf·cm, ft·lbf) : Specified torque

0 ◆ Non-reusable Part

B59621