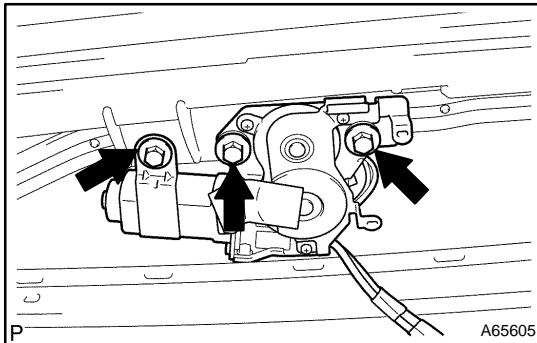


## REPLACEMENT

1. REMOVE ROOF HEADLINING ASSY (See page 76-17)
2. REMOVE SLIDING ROOF GLASS SUB-ASSY
  - (a) Using a torx wrench (T25), remove the 4 screws the sliding roof glass.
  - (b) Pull the glass upward to remove it.
3. REMOVE SLIDING ROOF WEATHERSTRIP

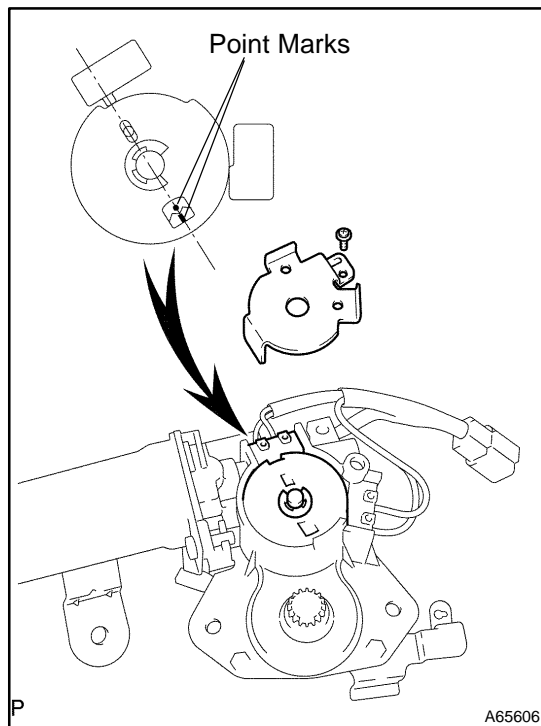


### 4. REMOVE SLIDING ROOF DRIVE GEAR SUB-ASSY

**NOTICE:**

Remove the drive gear with the sliding roof fully closed.

- (a) Disconnect the connector.
- (b) Remove the 3 bolts and drive gear.



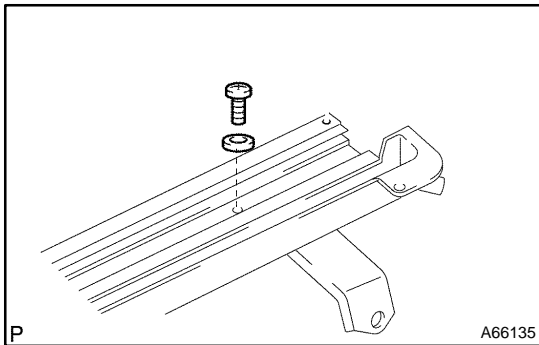
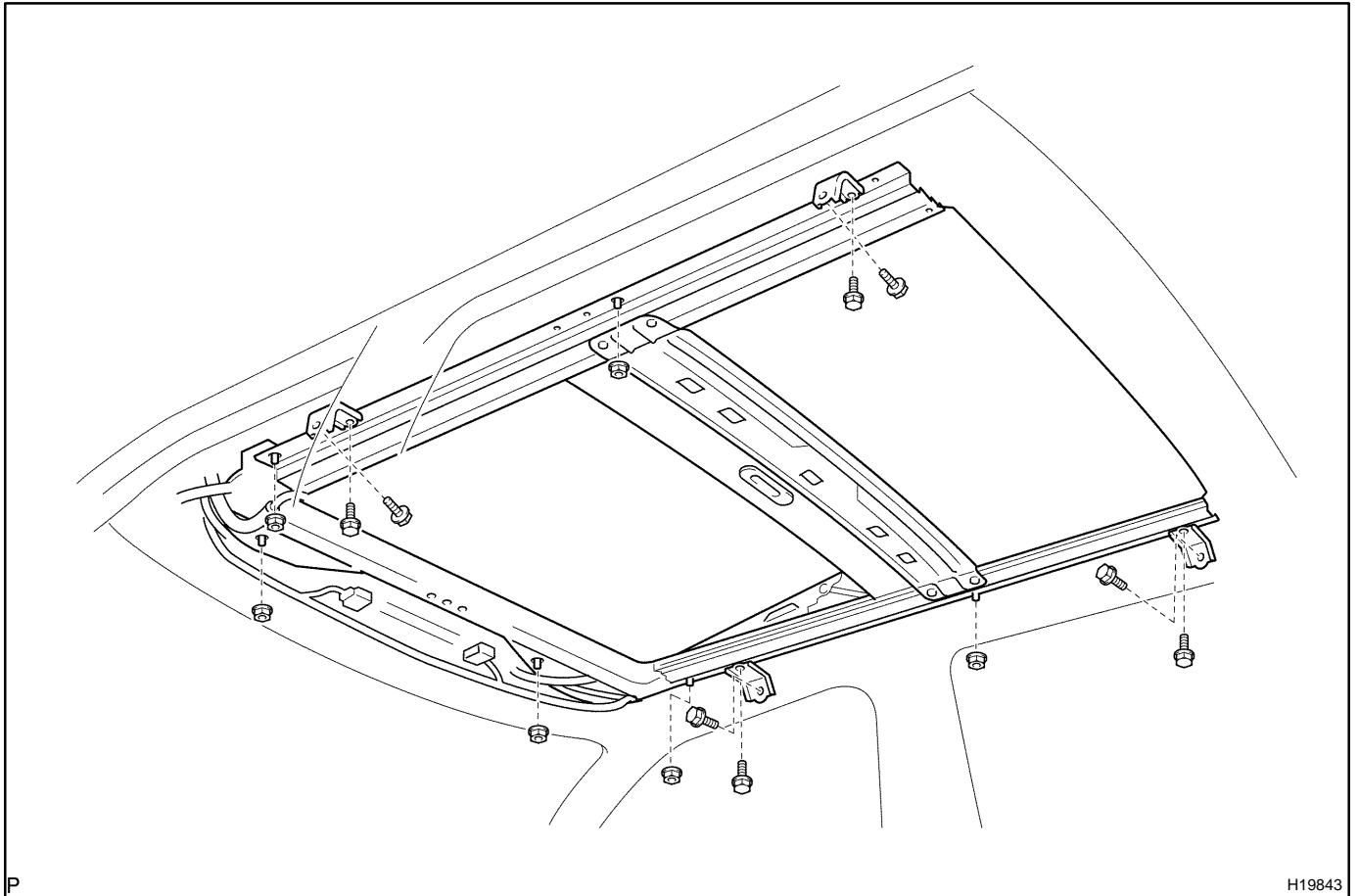
- (c) Remove the screw and cam plate cover.
- (d) Turn the drive gear to align the point marks, as shown in the illustration.
- (e) Install the cam plate cover and screw.

**NOTICE:**

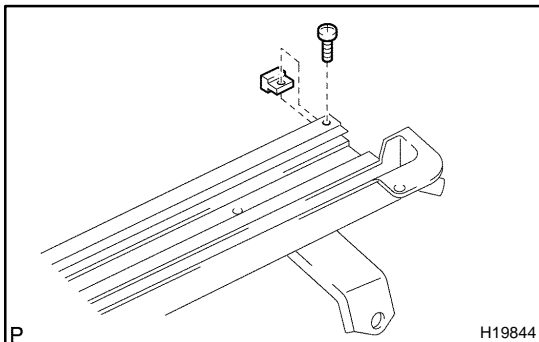
At the time of installation, if the sliding roof position and drive gear fully closed position are not aligned, the sliding roof does not operate normally.

**5. REMOVE SLIDING ROOF HOUSING ASSY**

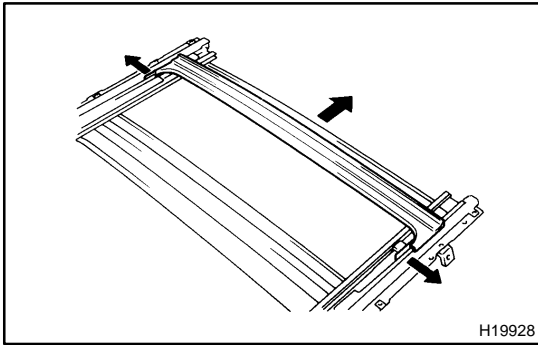
- (a) Disconnect the 4 drain hoses from the housing.
- (b) Remove the 8 bolts and 4 brackets.
- (c) Remove the 6 nuts and housing.

**6. REMOVE SLIDING ROOF PANEL STOPPER**

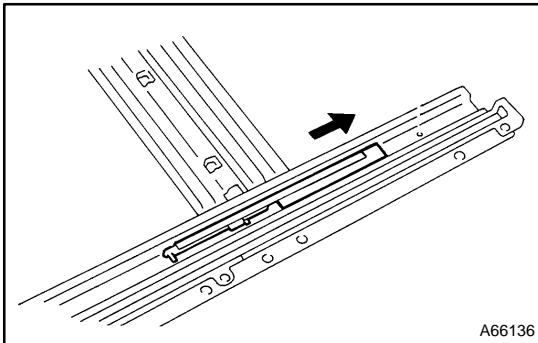
- (a) Remove the 2 screws and 2 stoppers.

**7. REMOVE SUNSHADE TRIM SUB-ASSY**

- (a) Remove the 2 screws and 2 stoppers.
- (b) Sliding the sunshade trim backward, remove it.

**8. REMOVE ROOF DRIP CHANNEL REAR**

- (a) Remove the roof drip channel rear as shown in the illustration.

**9. REMOVE SLIDING ROOF DRIVE CABLE LH**

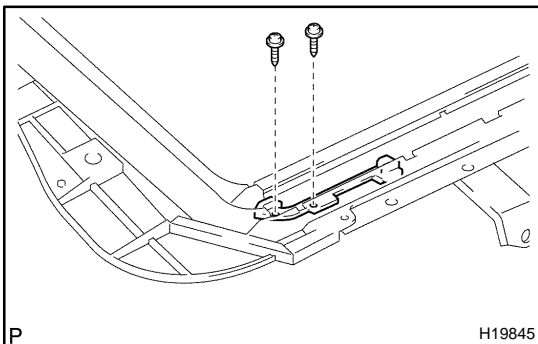
- (a) Sliding the drive cable backward, remove it.

**10. REMOVE SLIDING ROOF DRIVE CABLE RH**

- (a) Sliding the drive cable backward, remove it.

**11. REMOVE ROOF WIND DEFLECTOR PANEL SUB-ASSY**

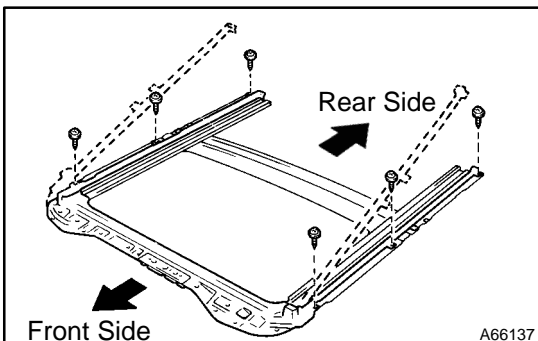
- (a) Remove the 2 screws and roof wind deflector panel.

**12. REMOVE SLIDING ROOF GUIDE BLOCK LH**

- (a) Remove the 2 screws and guide block.

**13. REMOVE SLIDING ROOF GUIDE BLOCK RH**

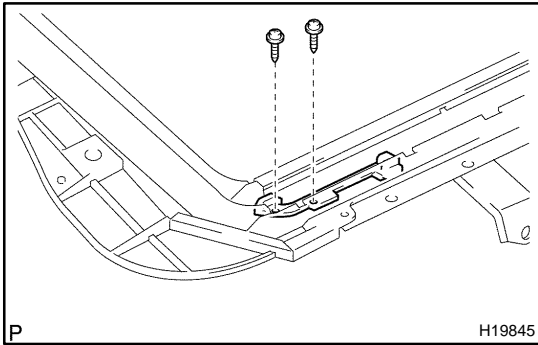
- (a) Remove the 2 screws and guide block.

**14. REMOVE SLIDE ROOF RAIL SUB-ASSY**

- (a) Remove the 6 screws and sliding roof housing.

**15. INSTALL SLIDE ROOF RAIL SUB-ASSY**

- (a) Install the sliding roof housing with the 6 screws.

**16. INSTALL SLIDING ROOF GUIDE BLOCK LH**

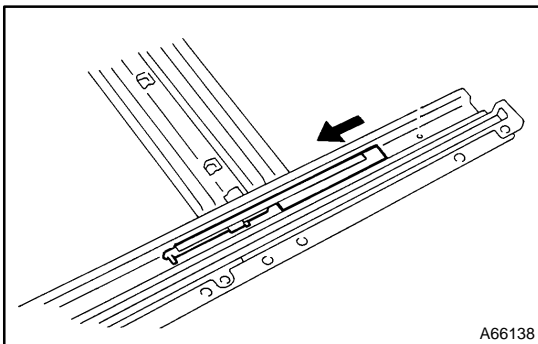
(a) Install the guide block with the 2 screws.

**17. INSTALL SLIDING ROOF GUIDE BLOCK RH**

(a) Install the guide block with the 2 screws.

**18. INSTALL ROOF WIND DEFLECTOR PANEL SUB-ASSY**

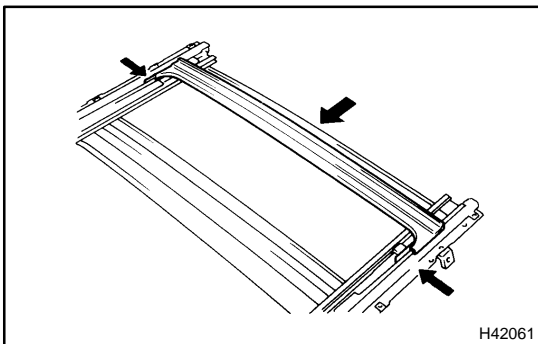
(a) Install the roof deflector panel with the 2 screws.

**19. INSTALL SLIDING ROOF DRIVE CABLE LH**

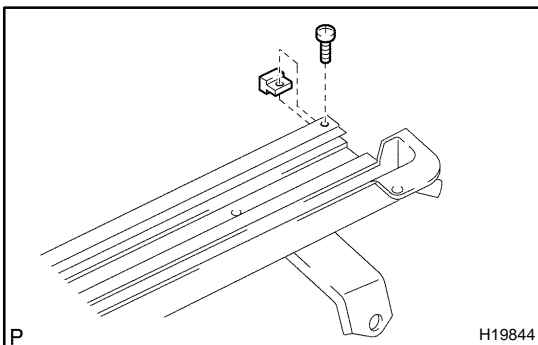
(a) Sliding the drive cable forward, install it.

**20. INSTALL SLIDING ROOF DRIVE CABLE RH**

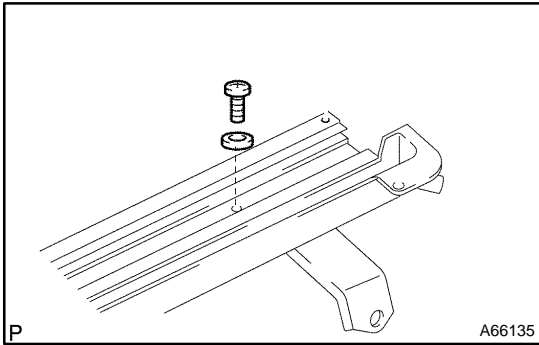
(a) Sliding the drive cable forward, install it.

**21. INSTALL ROOF DRIP CHANNEL REAR**

(a) Install the roof drip channel rear, as shown in the illustration.

**22. INSTALL SUNSHADE TRIM SUB-ASSY**

(a) Install the 2 stopper with the 2 screws.

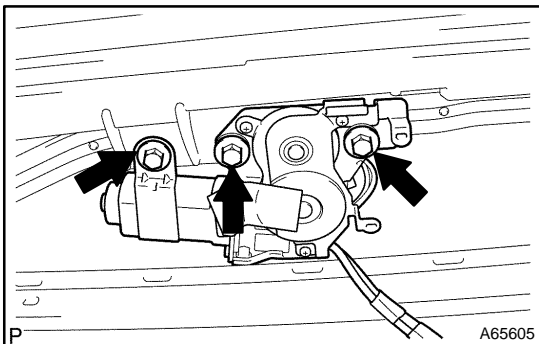


**23. INSTALL SLIDING ROOF PANEL STOPPER**

- (a) Install the 2 stoppers with the 2 screws.

**24. INSTALL SLIDING ROOF HOUSING ASSY**

- (a) Install the housing with the 6 nuts.  
**Torque: 5.5 N·m (56 kgf·cm, 49 in.-lbf)**
- (b) Install the 4 brackets with the 8 bolts.  
**Torque: 5.0 N·m (51 kgf·cm, 44 in.-lbf)**
- (c) Connect the 4 drain hoses to the housing.



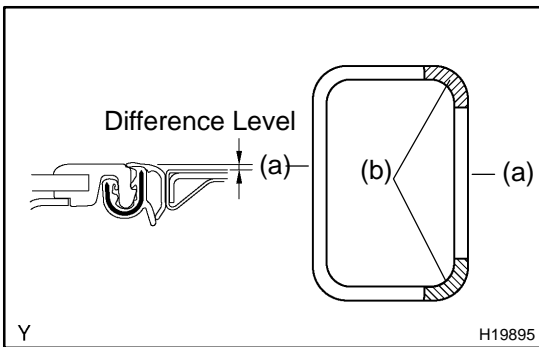
**25. INSTALL SLIDING ROOF DRIVE GEAR SUB-ASSY**

- (a) Install the drive gear with the 3 bolts.  
**Torque: 5.4 N·m (55 kgf·cm, 48 in.-lbf)**
- (b) Connect the connector.

**26. INSTALL SLIDING ROOF WEATHERSTRIP**

**27. INSTALL SLIDING ROOF GLASS SUB-ASSY**

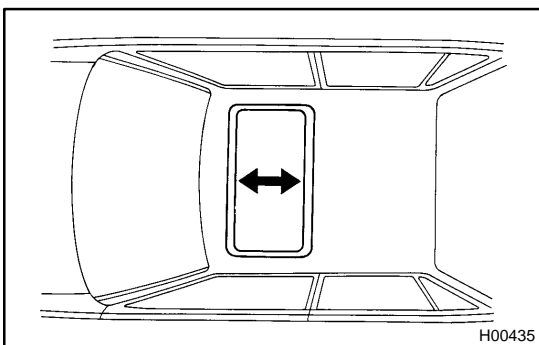
- (a) Using a torx wrench (T25), install the sliding roof glass with the 4 screws.  
**Torque: 4.0 N·m(41 kgf·cm, 35 in.-lbf)**



- (b) Check the difference in level between the sliding roof weatherstrip and roof panel.

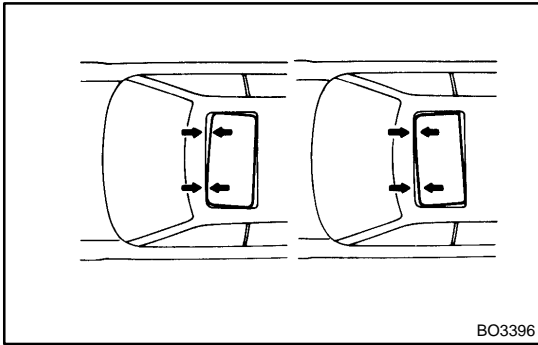
**Standard:**

Difference in level	Specification
Place (a)	0 + 1.5 mm (0 ± 0.059 in.)
Place (b)	0 + 1.5 mm (0 + 0.059 in.) 0 - 1.0 mm (0 - 0.039 in.)



**28. INSPECT SLIDING ROOF GLASS SUB-ASSY**

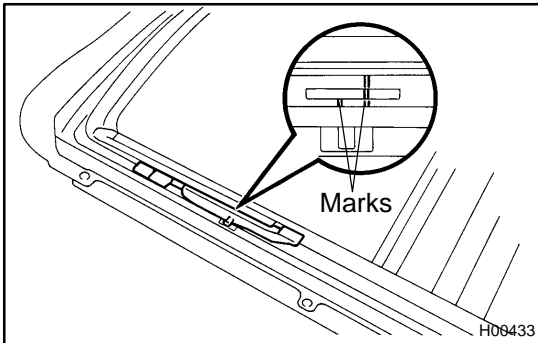
- (a) Using a torx wrench (T25), loosen the sliding roof glass installation screws.
- (b) Adjust the sliding roof glass forward and backward.



- (c) When the front or rear alignment is not correct, remove the drive gear and sliding roof glass, then adjust the drive rail.

**NOTICE:**

**Remove the drive gear with the sliding roof fully closed.**



- (d) Adjust the roof rail by sliding the cable forward or backward to align the 2 marks, as shown in the illustration.
- (e) Install the drive gear and sliding roof glass.

**29. INSPECT FOR LEAK**

- (a) Adjusting the sliding roof, check there is no water leak.
- (b) In case of water leak, readjust the sliding roof.

**30. INSTALL ROOF HEADLINING ASSY (See page 76-17)**