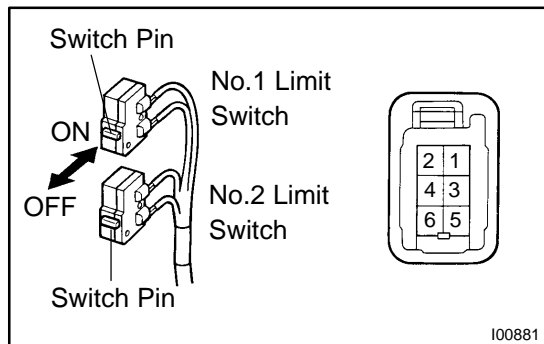


# INSPECTION



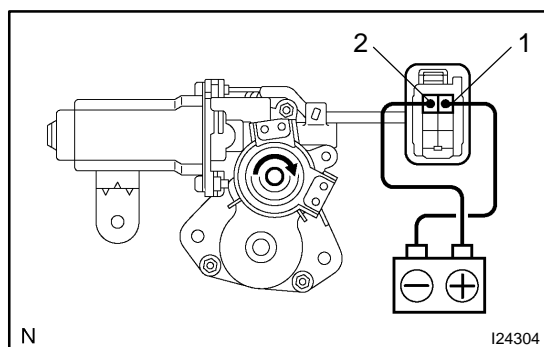
## 1. INSPECT SLIDING ROOF LIMIT SWITCH

- (a) Inspect the sliding roof limit switch continuity.

### Standard:

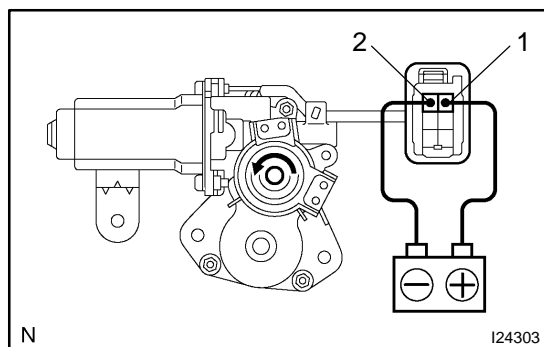
Switch position	Terminal No.	Specified condition
No.1 limit switch OFF (SW pin released)	4 - 5	No continuity
No.1 limit switch ON (SW pin pushed)	4 - 5	Continuity
No.2 limit switch OFF (SW pin released)	4 - 6	No continuity
No.2 limit switch ON (SW pin pushed)	4 - 6	Continuity

If the result is not as specified, replace the sliding roof drive motor.



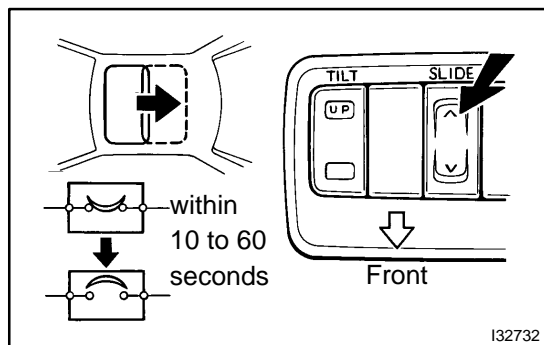
## 2. INSPECT SLIDING ROOF DRIVE GEAR SUB-ASSY

- (a) Connect the positive (+) lead from the battery to terminal 2 and the negative (-) lead to terminal 1, and check that the motor turns clockwise (moves to the close side).



- (b) Reverse the polarity, check that the motor turns counter-clockwise (moves to the open side).

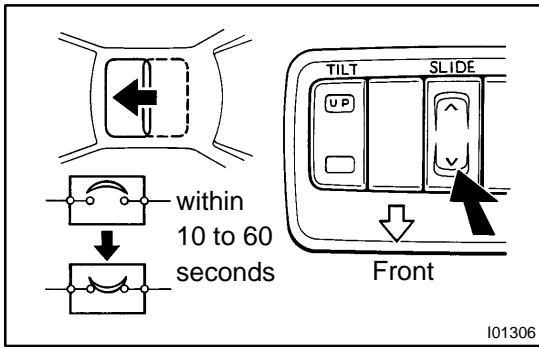
If the result is not as specified, replace the motor.



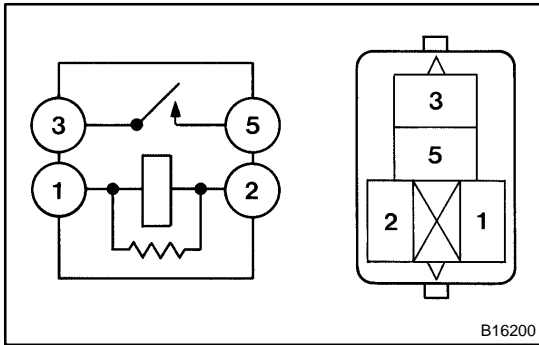
## 3. INSPECT SLIDING ROOF MOTOR CIRCUIT BREAKER

- (a) With the sliding roof in the fully opened position, hold the sliding roof switch in the "OPEN" side and check that there is circuit breaker operating noise within 10 to 60 seconds.

SLIDING ROOF/CONVERTIBLE - SLIDING ROOF SYSTEM



- (b) With the sliding roof in the fully opened position, hold the sliding roof switch in the "CLOSE" side and check that the sliding roof begins to close within 60 seconds.  
If the result is not as specified, replace the motor.



**4. INSPECT RELAY (Making: P/W)**

- (a) Remove the power window relay from the instrument panel J/B.  
(b) Inspect the power window relay.

**Standard:**

Terminal No.	Condition	Specified condition
1 ↔ 2	Constant	Continuity
3 ↔ 5	Apply battery voltage between terminals 1 and 2	Continuity

If the result is not as specified, replace the relay.