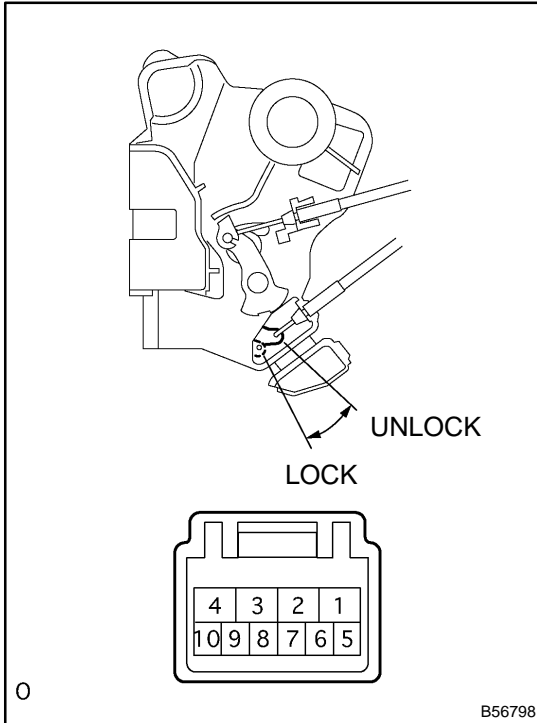


INSPECTION



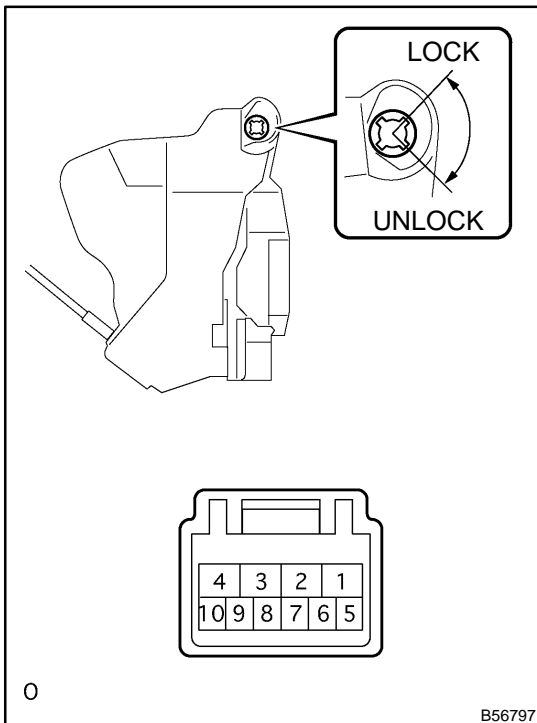
1. INSPECT FRONT DOOR LOCK ASSY LH

- (a) Apply battery voltage and inspect the door lock motor operation, as shown in the illustration and table.

Standard:

Measuring condition	Specified condition
Battery positive (+) Terminal - 4 Battery negative (-) Terminal - 1	Lock
Battery positive (+) Terminal - 1 Battery negative (-) Terminal - 4	Unlock

If the result is not as specified, replace the door lock assy.



- (b) Inspect the door lock and unlock switch continuity, as shown in the illustration and table.

Standard:

Terminal No.	Door lock position	Specified condition
7 ↔ 9	Lock	Continuity
-	OFF	-
7 ↔ 10	Unlock	Continuity

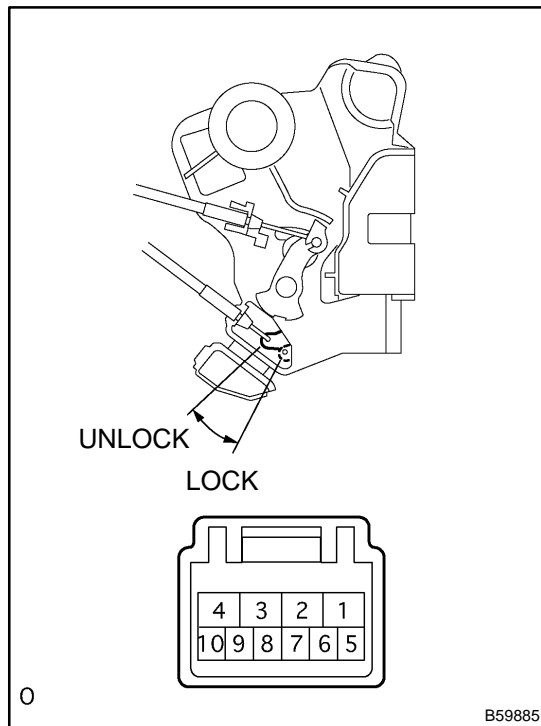
If the result is not as specified, replace the door lock assy.

- (c) Inspect the position switch continuity, as shown in the illustration and table.

Standard:

Terminal No.	Door lock position	Specified condition
7 ↔ 8	Lock	No continuity
-	OFF	-
7 ↔ 9	Unlock	Continuity

If the result is not as specified, replace the door lock assy.



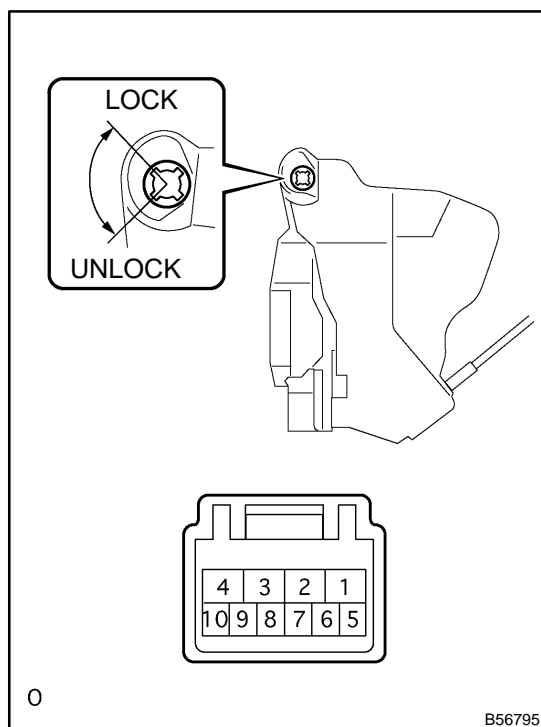
2. INSPECT FRONT DOOR LOCK ASSY RH

- (a) Apply battery voltage and inspect the door lock motor operation, as shown in the illustration and table.

Standard:

Measuring condition	Specified condition
Battery positive (+) Terminal – 4 Battery negative (–) Terminal – 1	Lock
Battery positive (+) Terminal – 1 Battery negative (–) Terminal – 4	Unlock

If the result is not as specified, replace the door lock assy.



- (b) Inspect the door lock and unlock switch continuity, as shown in the illustration and table.

Standard:

Terminal No.	Door lock position	Specified condition
6 ↔ 8	Lock	Continuity
–	OFF	–
5 ↔ 8	Unlock	Continuity

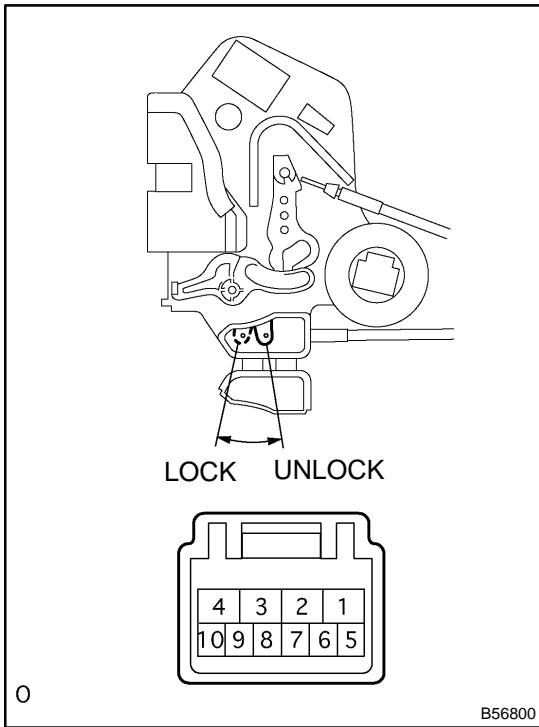
If the result is not as specified, replace the door lock assy.

- (c) Inspect the position switch continuity, as shown in the illustration and table.

Standard:

Terminal No.	Door lock position	Specified condition
7 ↔ 8	Lock	No continuity
–	OFF	–
7 ↔ 8	Unlock	Continuity

If the result is not as specified, replace the door lock assy.



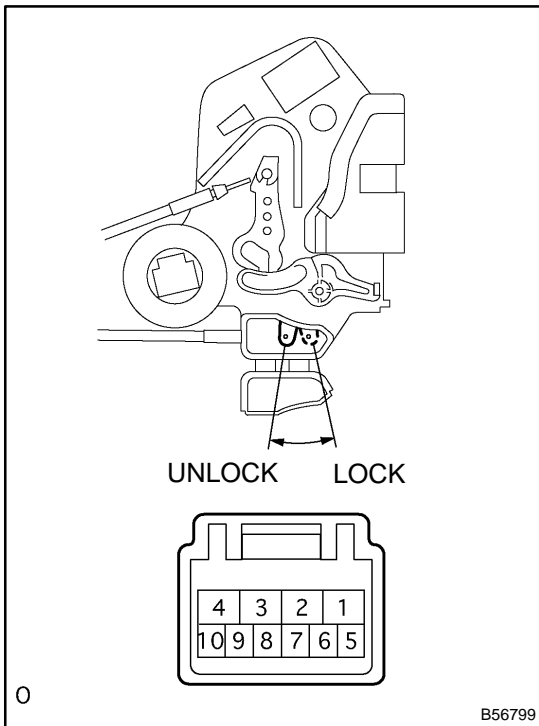
3. INSPECT REAR DOOR LOCK ASSY LH

- (a) Apply battery voltage and inspect the door lock motor operation, as show in the illustration and table.

Standard:

Measuring condition	Specified condition
Battery positive (+) Terminal - 4 Battery negative (-) Terminal - 1	Lock
Battery positive (+) Terminal - 1 Battery negative (-) Terminal - 4	Unlock

If the result is not as specified, replace the door lock assy.



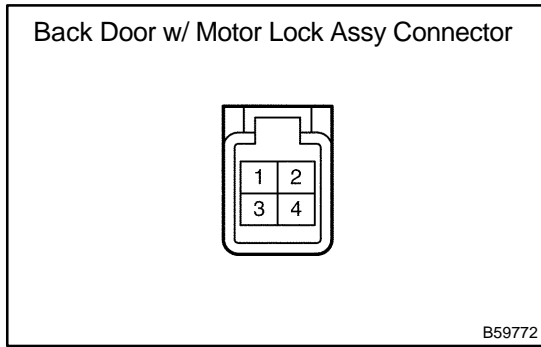
4. INSPECT REAR DOOR LOCK ASSY RH

- (a) Apply battery voltage and inspect the door lock motor operation, as show in the illustration and table.

Standard:

Measuring condition	Specified condition
Battery positive (+) Terminal - 4 Battery negative (-) Terminal - 1	Lock
Battery positive (+) Terminal - 1 Battery negative (-) Terminal - 4	Unlock

If the result is not as specified, replace the door lock assy.



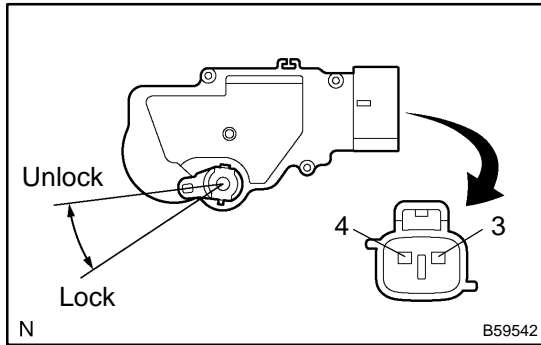
5. INSPECT BACK DOOR W/ MOTOR LOCK ASSY (BACK DOOR COURTESY SWITCH)

- (a) Inspect the back door courtesy switch continuity, as shown in the illustration and table.

Standard:

Terminal No.	Door lock latch position	Specified condition
1 ↔ 2	Open or half lock	Continuity
	Closed	No continuity

If the result is not as specified, replace the door lock assy.



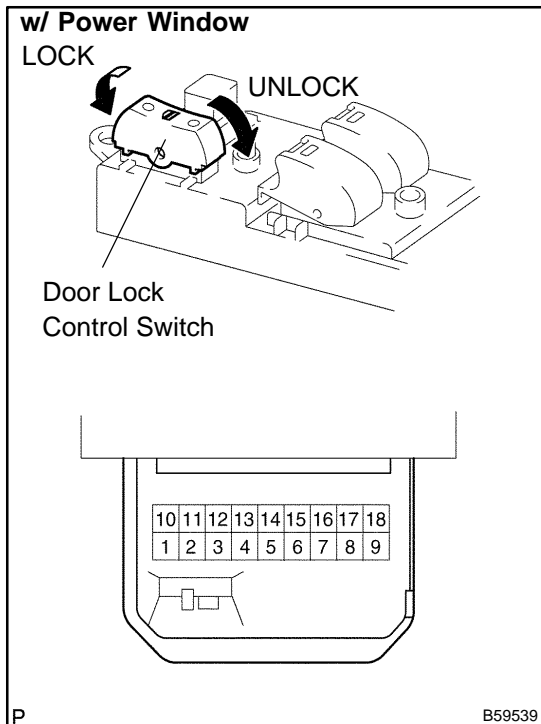
6. INSPECT BACK DOOR LOCK ACTUATOR ASSY

- (a) Apply battery voltage and inspect the back door lock actuator assy operation, as show in the illustration and table.

Standard:

Measuring condition	Specified condition
Battery positive (+) Terminal – 4 Battery negative (-) Terminal – 3	Lock
Battery positive (+) Terminal – 3 Battery negative (-) Terminal – 4	Unlock

If the result is not as specified, replace the actuator.



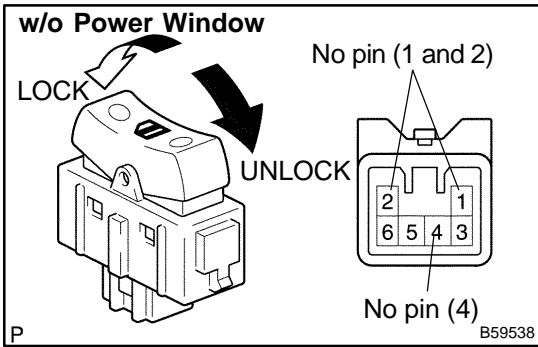
7. INSPECT POWER WINDOW REGULATOR MASTER SWITCH ASSY

- (a) w/ Power window:
Inspect the door lock control switch continuity, as show in the illustration and table.

Standard:

Terminal No.	Switch position	Specified condition
1 ↔ 3 ↔ 5	Lock	Continuity
-	OFF	No continuity
1 ↔ 3 ↔ 8	Unlock	Continuity

If the result is not as specified, replace the switch.

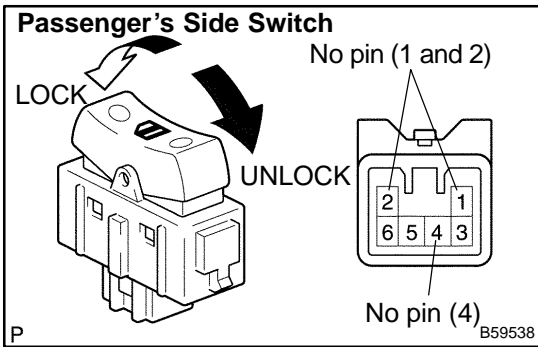


(b) w/o Power window:
Inspect the door lock control switch continuity, as shown in the illustration and table.

Standard:

Terminal No.	Switch position	Specified condition
3 ↔ 6	Lock	Continuity
–	OFF	No continuity
3 ↔ 5	Unlock	Continuity

If the result is not as specified, replace the switch.



8. INSPECT DOOR CONTROL SWITCH ASSY

(a) Passenger's side switch:
Inspect the door lock control switch continuity, as shown in the illustration and table.

Standard:

Terminal No.	Switch position	Specified condition
3 ↔ 6	Lock	Continuity
–	OFF	No continuity
3 ↔ 5	Unlock	Continuity

If the result is not as specified, replace the switch.