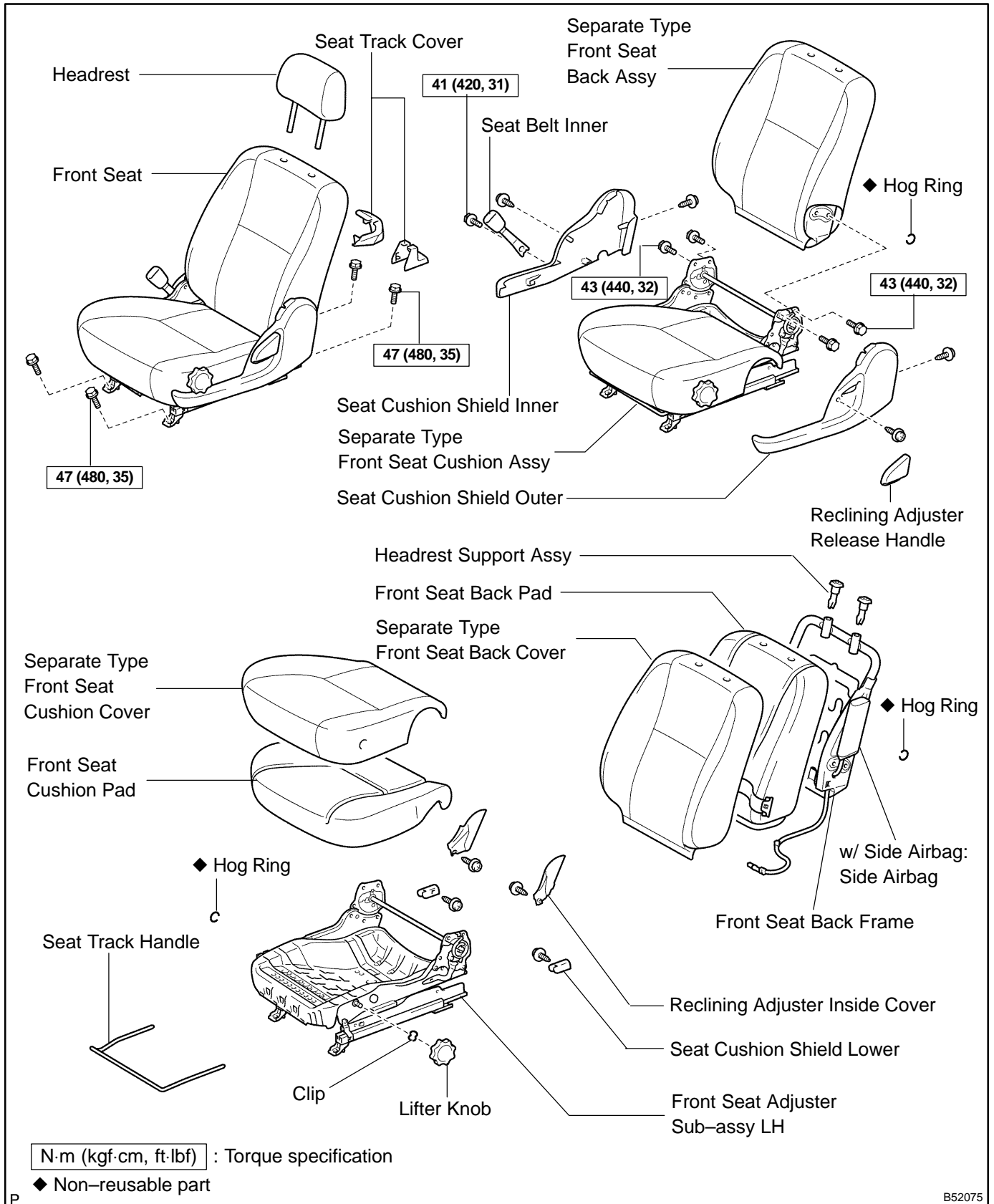


FRONT SEAT (DRIVER SIDE) COMPONENTS

720A4-01



B52075