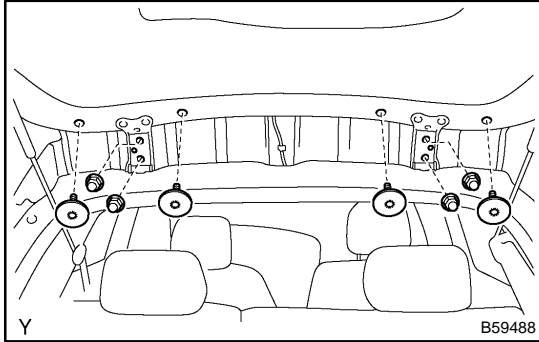


REPLACEMENT

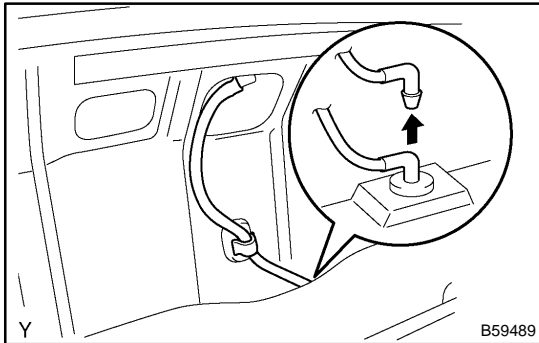
HINT:

Installation is in the reverse order of the removal.

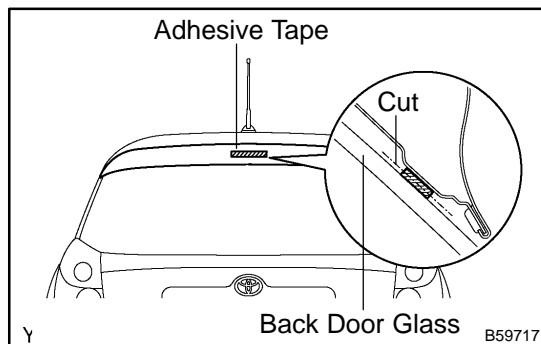


1. REMOVE BACK DOOR PANEL SUB-ASSY UPPER OUTER

- (a) Remove the 2 nuts and rear stoplight cover.
- (b) Using a torx wrench (T30), remove the 4 screws.
- (c) Remove the 4 nuts.



- (d) Remove the hose.

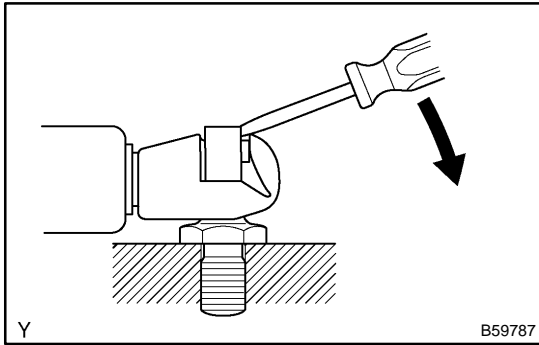


- (e) Using a knife, cut off the adhesive tape as shown in the illustration.
- (f) Remove the back door panel upper outer, and then disconnect the clamp.

NOTICE:

Do not damage the back door glass with the knife.

2. REMOVE REAR WIPER ARM ASSY (W/ RR WIPER) (See page 66-11)
3. REMOVE REAR WIPER LINK CAP (W/ RR WIPER) (See page 66-11)
4. REMOVE W/WASHER PACKING NUT REAR WIPER LINK PIVOT (W/ RR WIPER) (See page 66-11)
5. REMOVE RR WIPER MOTOR COVER (W/ RR WIPER) (See page 66-11)
6. REMOVE REAR WIPER MOTOR ASSY (W/ RR WIPER) (See page 66-11)

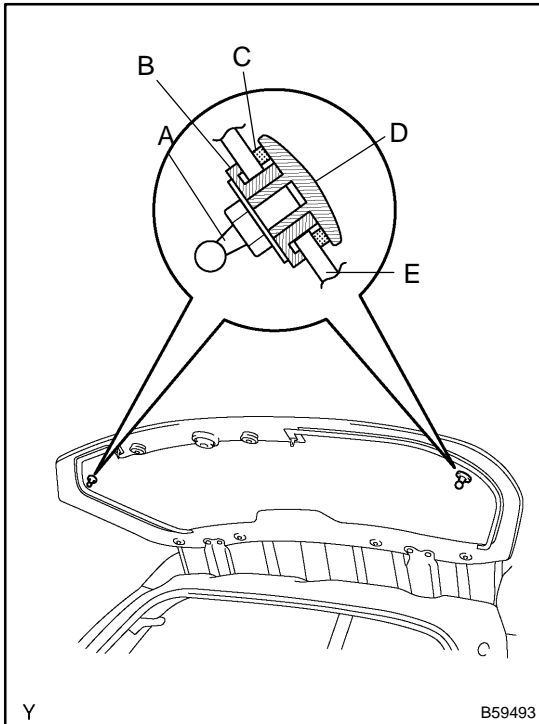


7. REMOVE BACK DOOR GLASS

- (a) Using a screwdriver, remove the back door stay from the back door panel.

HINT:

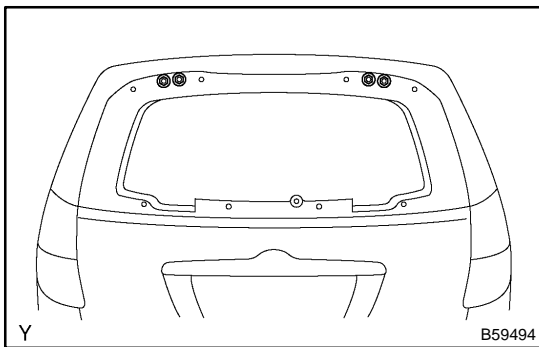
While supporting the back door by hand, remove the back door stay.



- (b) Remove the back door stay bolt No.1, back door stay retainer and back door stay packing No.2 from back door glass.

HINT:

- A: Back door stay bolt No.1
 B: Back door stay packing No.2
 C: Back door stay packing No.1
 D: Back door stay retainer
 E: Back door glass



- (c) Remove the 4 nuts and back door glass.

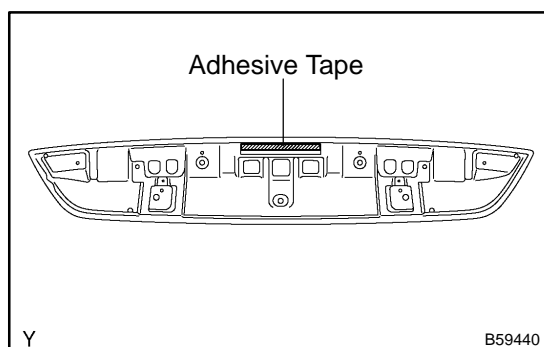
8. REMOVE BACK DOOR HINGE ASSY RH

- (a) Remove the 2 nuts, window glass spacer No.1, back door hinge male pad and back door glass from the back door hinge assembly RH.

9. REMOVE BACK DOOR HINGE ASSY LH

10. INSTALL BACK DOOR GLASS

Torque: 12 N·m (122 kgf·cm, 9 ft·lbf)



11. INSTALL BACK DOOR PANEL SUB-ASSY UPPER OUTER

- (a) If reusing the back door panel upper outer:
Clean the back door panel upper outer.
 - (1) Remove the adhesive tape from the back door panel upper outer.
 - (2) Wipe off the stains with cleaner.
- (b) Apply new adhesive tape to the back door panel upper outer as shown in the illustration.
- (c) Install the back door panel upper outer with the 4 screws and 4 nuts.