

NAVIGATION ANTENNA ASSY REPLACEMENT

670EM-01

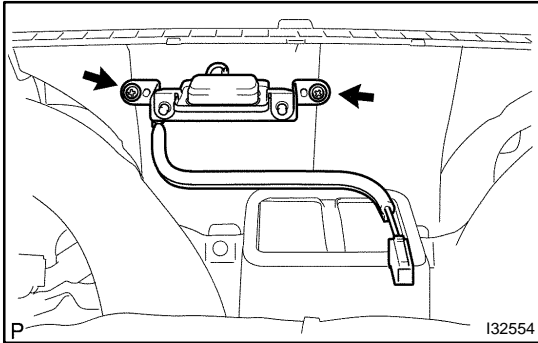
HINT:

COMPONENTS: See page 67-2

1. REMOVE INSTRUMENT PANEL SUB-ASSY UPPER (See page 71-10)

HINT:

Refer to the instructions for removal of the instrument panel sub-assy upper.



2. REMOVE NAVIGATION ANTENNA ASSY

- (a) Disconnect the connector, remove the navigation antenna cord sub-assy.
- (b) Remove the 2 screws and navigation antenna assy from the defroster nozzle assy.

3. INSTALL INSTRUMENT PANEL SUB-ASSY UPPER (See page 71-10)