

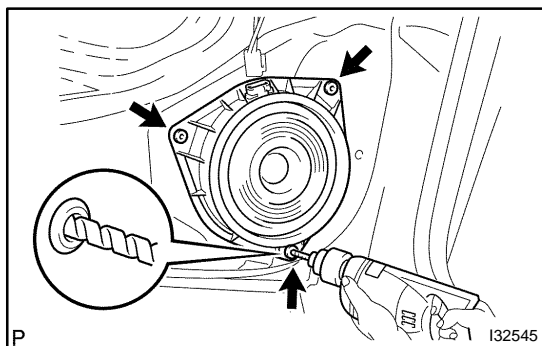
FRONT NO.1 SPEAKER ASSY REPLACEMENT

670EF-01

HINT:

COMPONENTS: See page 67-2

1. REMOVE FRONT DOOR PULL HANDLE LH (See page 75-5)
2. REMOVE POWER WINDOW REGULATOR MASTER SWITCH ASSY (W/ POWER WINDOW) (See page 75-5)
3. REMOVE FRONT ARMREST BASE PANEL UPPER LH (W/O POWER WINDOW) (See page 75-5)
4. REMOVE FRONT DOOR WINDOW REGULATOR HANDLE ASSY (W/O POWER WINDOW) (See page 75-5)
5. REMOVE FRONT DOOR TRIM BOARD SUB-ASSY LH (See page 75-5)



6. REMOVE FRONT NO.1 SPEAKER ASSY

- (a) Disconnect the connector.
- (b) Using a drill of less than ϕ 4 mm (0.16 in.), drill out the 3 rivet heads and remove the front No.1 speaker assy from the front door panel.
- (c) Gently and vertically put the drill to the rivet, and cut the rivet flanges.

NOTICE:

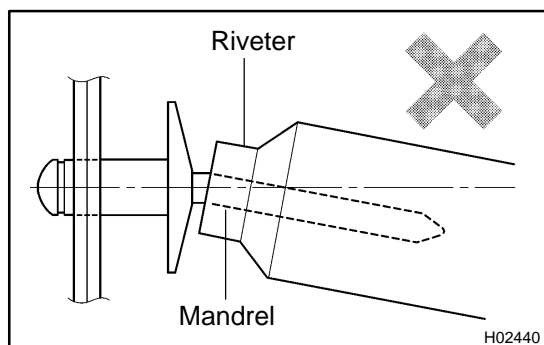
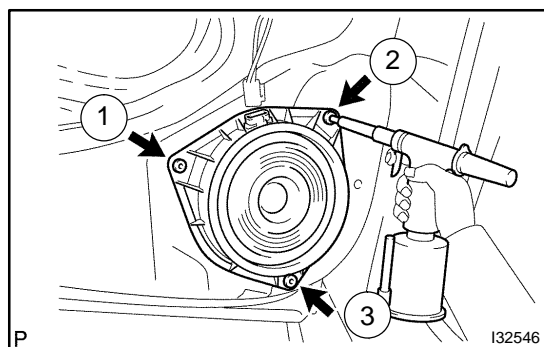
- Prizing the hole with a drill can lead to damage to the rivet hole or breaking the drill.
 - Take care as the cut rivet is hot.
- (d) Even if flange is taken off, continue drilling and push out remaining fragments with the drill.
 - (e) Using a vacuum cleaner, remove the drilled rivet and their dust from the inside of the front door panel.

7. INSTALL FRONT NO.1 SPEAKER ASSY

- (a) Using an air riveter or hand riveter, 3 new strike rivets to install the front No.1 speaker assy to the front door panel.

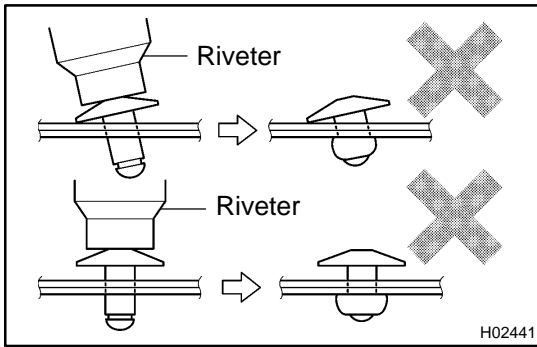
NOTICE:

Install the new strike rivet in following order shown in the illustration to install the front No.1 speaker assy.

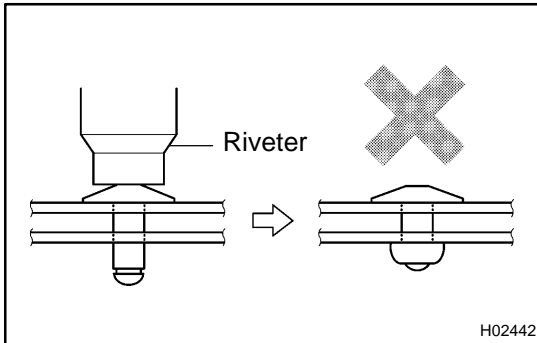


NOTICE:

- Do not prize a riveter, as riveter is damaged, it is not tightened and the mandrel is bent.



- **Do not tilt the riveter and disconnect the rivet from the material while handling a riveter, as the materials are not tightened firmly.**



- **Install the rivet while attaching materials, as they are not tightened firmly.**
- (b) Connect the connector.