

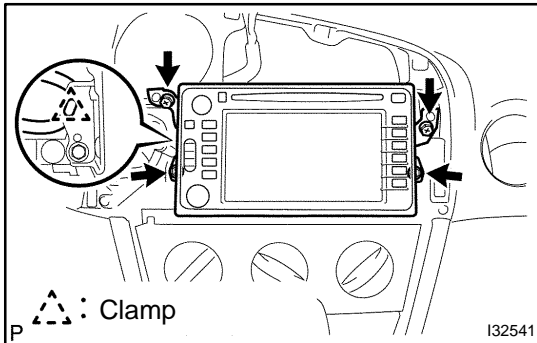
# NAVIGATION RECEIVER ASSY REPLACEMENT

670ED-01

HINT:

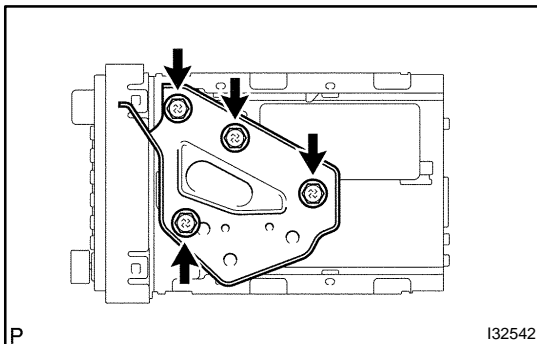
COMPONENTS: See page 67-2

## 1. REMOVE INSTRUMENT CLUSTER FINISH PANEL SUB-ASSY CENTER (See page 71-10)



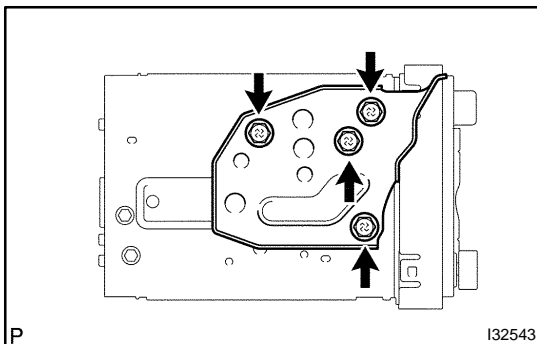
## 2. REMOVE NAVIGATION RECEIVER ASSEMBLY W/BRACKET

- (a) Remove the 4 screws.
- (b) Disconnect the clamp from the radio bracket No.2.
- (c) Disconnect the connectors, then remove the navigation receiver assembly w/bracket.



## 3. REMOVE RADIO BRACKET NO.1

- (a) Remove the 4 screws and radio bracket No.1.



## 4. REMOVE RADIO BRACKET NO.2

- (a) Remove the 4 screws and radio bracket No.2.

## 5. REMOVE NAVIGATION RECEIVER ASSY