

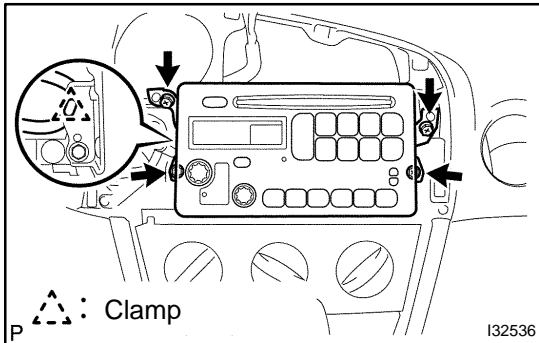
RADIO RECEIVER ASSY REPLACEMENT

670EC-01

HINT:

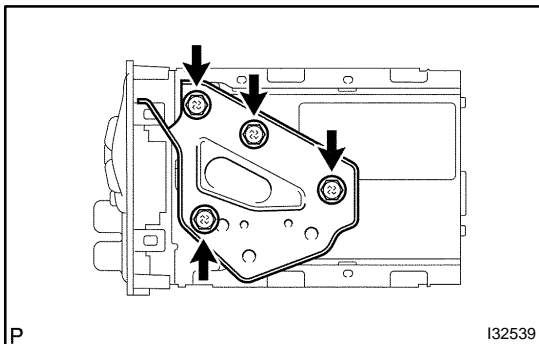
COMPONENTS: See page 67-2

1. REMOVE INSTRUMENT CLUSTER FINISH PANEL SUB-ASSY CENTER (See page 71-10)



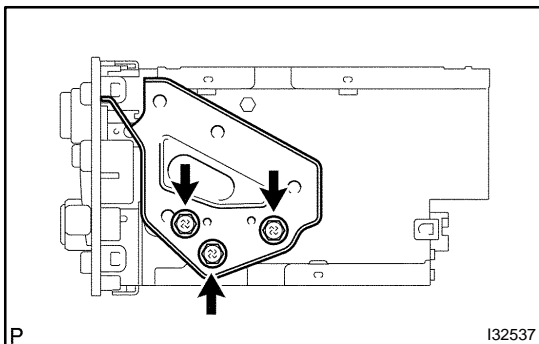
2. REMOVE RADIO RECEIVER ASSEMBLY W/BRACKET

- (a) Remove the 4 screws.
- (b) Disconnect the clamp from the radio bracket No.2.
- (c) Disconnect the connectors, then remove the radio receiver assembly w/bracket.



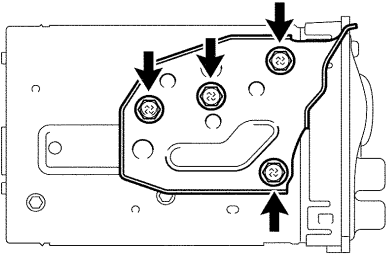
3. REMOVE RADIO BRACKET NO.1

- (a) Except Indash CD Changer:
Remove the 4 screws and radio bracket No.1.



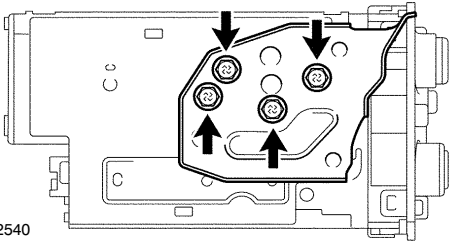
- (b) Indash CD Changer:
Remove the 3 screws and radio bracket No.1.

Except Indash CD Changer:



P

Indash CD Changer:



I32540
I32538

P

I32569

4. REMOVE RADIO BRACKET NO.2

- (a) Remove the 4 screws and radio bracket No.2.

5. REMOVE RADIO RECEIVER ASSY