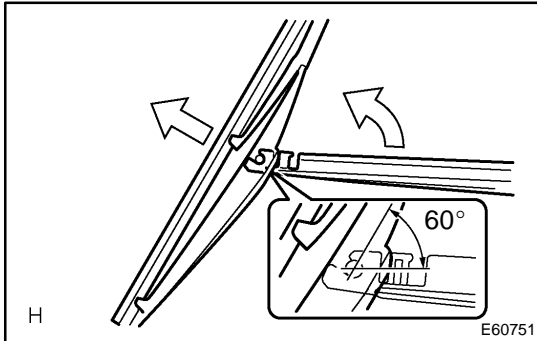


REAR WIPER RUBBER REPLACEMENT

66079-01



1. REMOVE RR WIPER BLADE

- (a) Raise the rear wiper blade to the position as shown in the illustration, to the extent that the meshing of the claw is disengaged with the click sound.

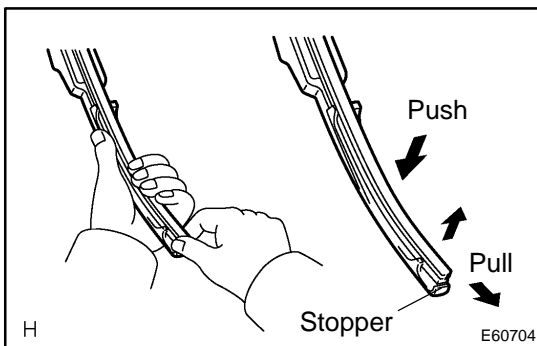
NOTICE:

Be careful not to break the claw.

- (b) Pull straight the rear wiper blade to vehicle's left from the wiper arm.

NOTICE:

Do not fold the rear wiper arm with the rear wiper blade being removed from it.



2. REMOVE REAR WIPER RUBBER

- (a) Place the rear wiper with the rear end of the rubber protruded from the blade stopper as shown in the illustration.

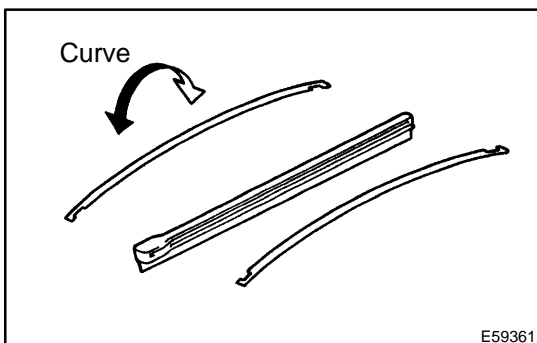
NOTICE:

Do not pull out the wiper rubber forcibly. Otherwise the backing plates are deformed or blade claw is damaged.

HINT:

Pushing the position close to the middle of the blade will raise the rubber, which could be easier to pull it out.

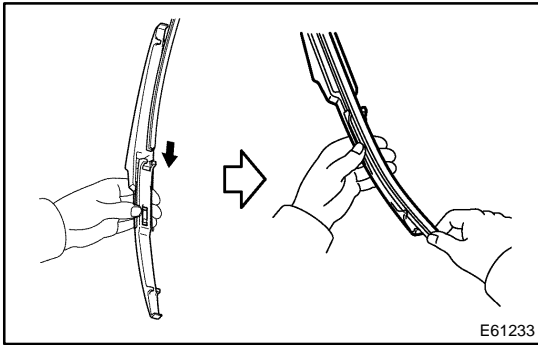
3. INSTALL REAR WIPER RUBBER



- (a) Install the 2 wiper rubber backing plates to the rear wiper rubber.

NOTICE:

Be careful to observe and keep direction of curvature for correct replacement.



- (b) Insert the rear wiper rubber from the claw of the middle of the rear wiper blade into the rear end position.
- (c) After passing the rear wiper rubber through the rear end side claw, protrude it from the rear end stopper and pass it through the front tip side claw.

