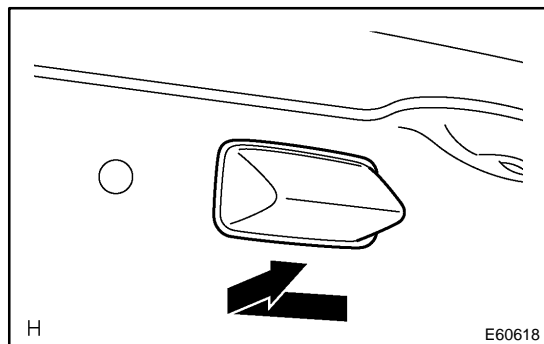


# LICENSE PLATE LAMP ASSY

650HD-01

## REPLACEMENT

1. REMOVE BACK DOOR TRIM BOARD ASSY(See page 75-28)
2. REMOVE BACK DOOR OUTSIDE HANDLE(See page 75-28)
3. REMOVE BACK DOOR LOCK CYLINDER & KEY SET(See page 75-28)
4. REMOVE BACK DOOR GARNISH SUB-ASSY OUTSIDE(See page 75-28)



5. REMOVE LICENSE PLATE LAMP ASSY
  - (a) Pull the license plate light assy to the side of vehicle as shown in the illustration and release the claw.
  - (b) Disconnect the connector and remove the license plate light assy.