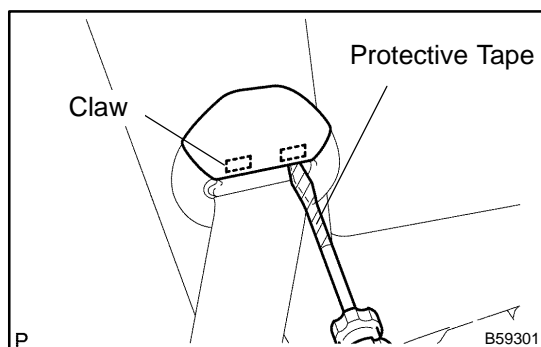


## REPLACEMENT

### HINT:

Installation is in the reverse order of the removal. But the installation is indicated only when it has a point.

1. REMOVE REAR DOOR SCUFF PLATE RH
2. REMOVE REAR DOOR SCUFF PLATE LH
3. REMOVE REAR DOOR OPENING TRIM RH
4. REMOVE REAR DOOR OPENING TRIM LH
5. REMOVE TONNEAU COVER ASSY
6. REMOVE DECK BOARD NO.2 (See page 76-17)
7. REMOVE DECK BOARD SUB-ASSY (See page 76-17)
8. REMOVE DECK FLOOR BOX REAR (See page 76-17)
9. REMOVE LUGGAGE COMPARTMENT TRAY (See page 76-17)
10. REMOVE BACK DOOR WEATHERSTRIP
11. REMOVE DECK TRIM COVER REAR (See page 76-17)
12. REMOVE REAR SEAT CUSHION ASSY AND REAR SEAT BACK ASSY (See page 72-10)
13. REMOVE REAR SEAT SIDE GARNISH RH (See page 76-17)
14. REMOVE REAR SEAT SIDE GARNISH LH (See page 76-17)
15. REMOVE DECK TRIM SIDE PANEL ASSY RH (See page 76-17)
16. REMOVE DECK TRIM SIDE PANEL ASSY LH (See page 76-17)



### 17. REMOVE REAR SEAT 3 POINT TYPE BELT ASSY OUTER

- (a) Using a screwdriver, remove the sholder anchor cover.

#### HINT:

Tape the screwdriver tip before use.

- (b) Remove the bolt and disconnect the rear seat 3 point type belt assembly outer (shoulder anchor side).
- (c) Remove the bolt and disconnect the rear seat 3 point typebelt assembly RH (floor anchor side).

### 18. REMOVE REAR SEAT BELT ASSY OUTER CENTER

- (a) Remove the rear seat back board RH (See page 72-10).
- (b) Remove the rear seat shoulder belt cover (See page 72-10).
- (c) Remove the 2 bolts and rear seat belt assembly outer center.

### 19. REMOVE REAR SEAT INNER W/CENTER BELT ASSY LH

- (a) Remove the bolt and the rear seat inner w/center belt assembly LH.

### 20. REMOVE CHILD RESTRAINT SEAT ANCHOR BRACKET SUB-ASSY RH

- (a) Remove the 2 bolts and child restraint seat anchor bracket sub-assembly RH.

### 21. INSTALL CHILD RESTRAINT SEAT ANCHOR BRACKET SUB-ASSY RH

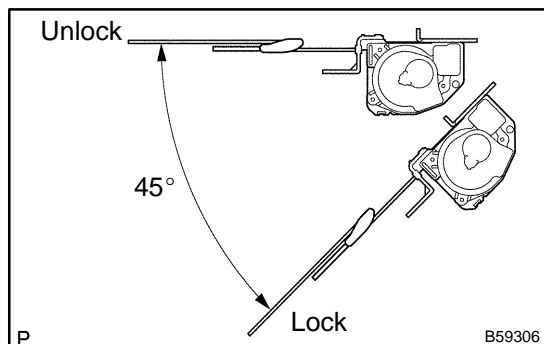
- (a) Install the child restraint seat anchor bracket sub-assembly RH with the 2 bolts.

**Torque: 18.1 N·m (185 kgf·cm, 13.3 ft·lbf)**

### 22. INSTALL REAR SEAT BELT ASSY OUTER CENTER

- (a) Install the rear seat belt assembly outer center (retractor) with the 2 bolts.

**Torque: 41.2 N·m (420 kgf·cm, 30 ft·lbf)**



### 23. INSTALL REAR SEAT BELT ASSY OUTER CENTER

- (a) Check the degree of tilt when the belt begins to lock the ELR.
- (1) Check the belt will not lock within 15° of tilt in all the direction but the belt will lock over 45° of tilt when moving the installed retractor gently.

If the operation is not as specified, replace the rear seat belt assembly outer center.

- (b) Install the rear seat belt assembly outer center with the bolt.

**Torque: 41.2 N·m (420 kgf·cm, 30 ft·lbf)**

- (c) Check the ELR lock.

#### NOTICE:

**Check should be performed with the assembly installed.**

- (1) Check that the belt will lock when pulling out the belt quickly with the belt installed.

If the operation is not as specified, replace the rear seat belt assembly outer center.

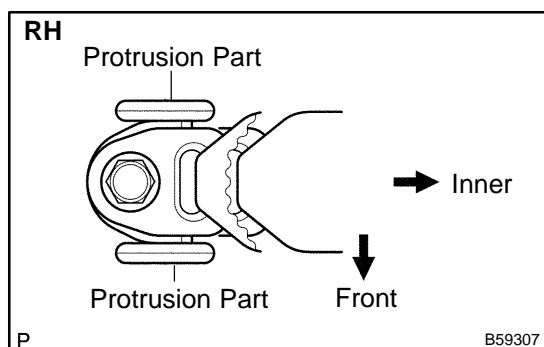
- (d) Check the fastening function of the child restraint system.

#### NOTICE:

**Check should be performed with the assembly installed.**

- (1) Check that the belt cannot be pulled out any more but can be rewound after the belt is fully pulled out.
- (2) Check that the belt can be pulled out and rewound after the belt is fully rewound.

If the operation is not as specified, replace the rear seat belt assembly outer center.

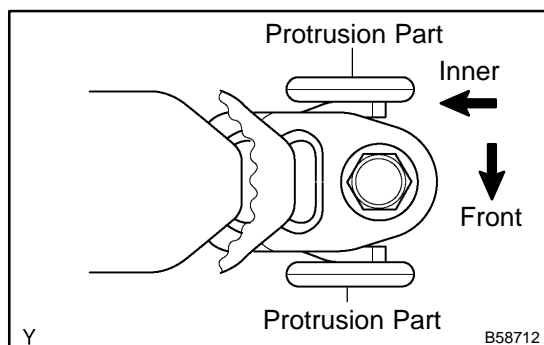


- (e) Install the floor anchor and rear seat belt assembly inner with the bolt, as shown in the illustration.

**Torque: 41.2 N·m (420 kgf·cm, 30 ft·lbf)**

#### NOTICE:

**Do not make the anchor part run onto the protrusion part of the floor panel.**



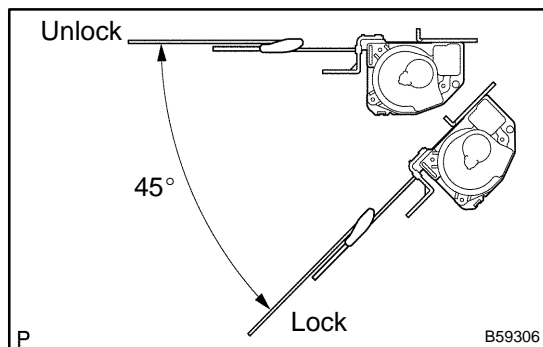
### 24. INSTALL REAR SEAT INNER W/CENTER BELT ASSY LH

- (a) Install the rear seat inner w/center belt assembly LH with the bolt, as shown in the illustration.

**Torque: 41.2 N·m (420 kgf·cm, 30 ft·lbf)**

#### NOTICE:

- Do not make the anchor part run onto the protrusion part of the floor panel.
- Do not disassemble the retractor.



## 25. INSTALL REAR SEAT 3 POINT TYPE BELT ASSY OUTER

### NOTICE:

**Do not disassemble the retractor.**

- (a) Check the degree of tilt when the belt begins to lock the ELR.
  - (1) Check the belt will not lock within 15° of tilt in all the direction but the belt will lock over 45 degrees of tilt when moving the installed retractor gently.

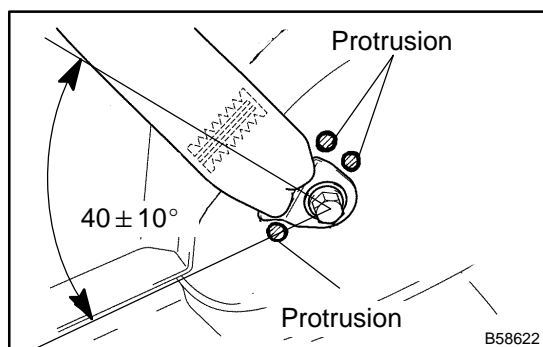
If the operation is not as specified, replace the rear seat belt assembly outer.

- (b) Install the rear seat belt assembly outer (retractor side) with the bolt.

### Torque:

**4.9 N·m (50 kgf·cm, 43 in·lbf) for upper bolt**

**41.2 N·m (420 kgf·cm, 30 ft·lbf) for lower bolt**



- (c) Install the rear seat belt assembly outer (floor anchor side) with the bolt.

**Torque: 41.2 N·m (420 kgf·cm, 30 ft·lbf)**

### NOTICE:

**Do not make the anchor part run onto the protrusion part of the floor panel.**

- (d) Check the ELR lock.

### NOTICE:

**Check should be performed with the assembly installed.**

- (1) Check that the belt will lock when pulling out the belt quickly with the belt installed.

If the operation is not as specified, replace the rear seat belt assembly outer.

- (e) Check the fastening function of the child restraint system.

### NOTICE:

**Check should be performed with the assembly installed.**

- (1) Check that the belt cannot be pulled out any more but can be rewound after the belt is fully pulled out.
- (2) Check that the belt can be pulled out and rewound after the belt is fully rewound.

If the operation is not as specified, replace the rear seat belt assembly outer.

## 26. INSTALL REAR SEAT CUSHION ASSY AND REAR SEAT BACK ASSY (See page 76-17)