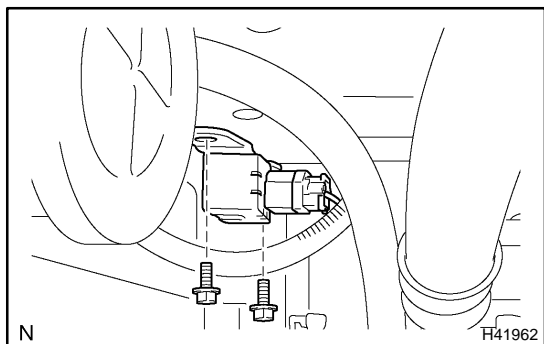


REPLACEMENT

HINT:

COMPONENTS: See page 60-40

1. **PRECAUTION (See page 60-1)**
2. **SEPARATE BATTERY NEGATIVE TERMINAL (See page 60-1)**



3. REMOVE AIR BAG FRONT RH SENSOR

- (a) Disconnect the connector from the airbag front RH sensor.
- (b) Remove the 2 bolts and airbag front RH sensor.

4. INSPECT AIR BAG FRONT RH SENSOR (See page 60-8)

5. INSTALL AIR BAG FRONT RH SENSOR

- (a) Check that the ignition switch turn OFF.
- (b) Check that the battery negative (-) terminal is disconnected.

NOTICE:

Do not start the operation for 90 seconds after removing the terminal.

- (c) Install the airbag front RH sensor with the 2 bolts.

Torque: 8.0 N·m (82 kgf·cm, 71 in·lbf)

- (d) Connect the connector to the airbag front RH sensor.
- (e) Check that no play is identified.

6. INSPECT SRS WARNING LIGHT (See page 05-543)