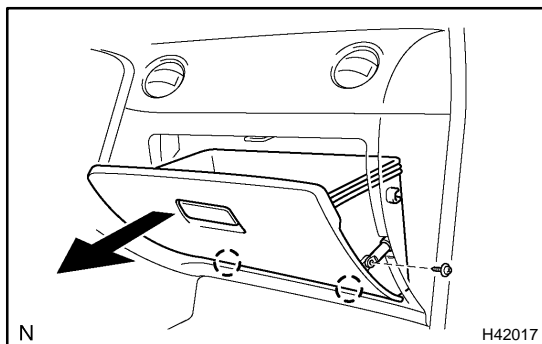


## REPLACEMENT

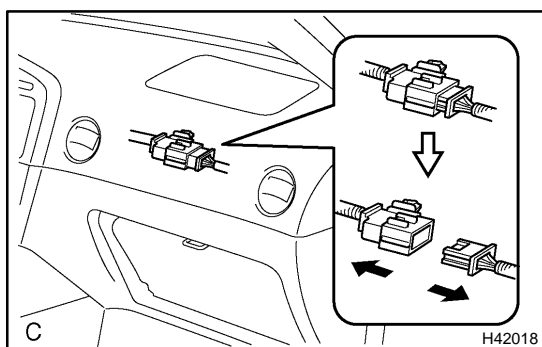
HINT:

COMPONENTS: See page 60-24

1. **PRECAUTION** (See page 60-1)
2. **SEPARATE BATTERY NEGATIVE TERMINAL** (See page 60-1)



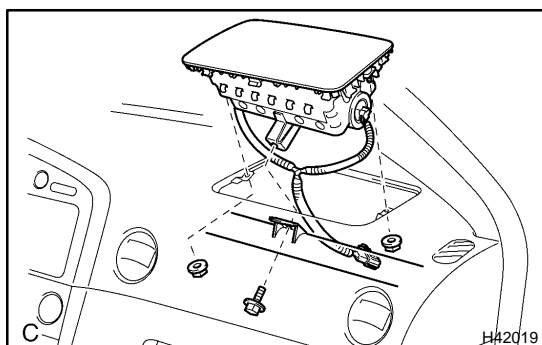
3. **REMOVE GLOVE COMPARTMENT DOOR ASSY**
  - (a) Remove the screw and glove compartment door assy.



4. **SEPARATE PASSENGER AIRBAG CONNECTOR**
  - (a) Disconnect the instrument panel passenger airbag connector.

**NOTICE:**

When handling the airbag connector, take care not to damage the airbag wire harness.



5. **REMOVE INSTRUMENT PANEL PASSENGER AIR BAG ASSY**
  - (a) Remove the bolt and 2 nuts.
  - (b) Remove the instrument panel passenger airbag assy from the instrument panel.

**CAUTION:**

- Do not store the instrument panel passenger airbag assy with the airbag deployment side facing down.
- Never disassemble the instrument panel passenger airbag assy.

6. **INSTALL INSTRUMENT PANEL PASSENGER AIR BAG ASSY**
  - (a) Install the bolt.  
**Torque: 20 N·m (204 kgf·cm, 15 ft·lbf)**
  - (b) Install the 2 nuts.

**CAUTION:**

- When installing the instrument panel passenger airbag assy take care that the wiring does not inter fare with other parts and is not pinched between other parts.
- Make sure that no foreign objects are trapped between the airbag, and within the module.

**NOTICE:**

- Make sure that the instrument panel passenger airbag assy is installed to the specified torque.
  - If the instrument panel passenger airbag assy has been dropped, or there are cracks, dents or other defects in the case or connector, replace the instrument panel passenger airbag assy with a new one.
- (c) Connect the instrument panel passenger airbag connector.
7. **INSPECT INSTRUMENT PANEL PASSENGER AIR BAG ASSY (See page 60-8)**
  8. **INSTALL GLOVE COMPARTMENT DOOR ASSY**
  9. **INSPECT SRS WARNING LIGHT (See Page 05-543)**