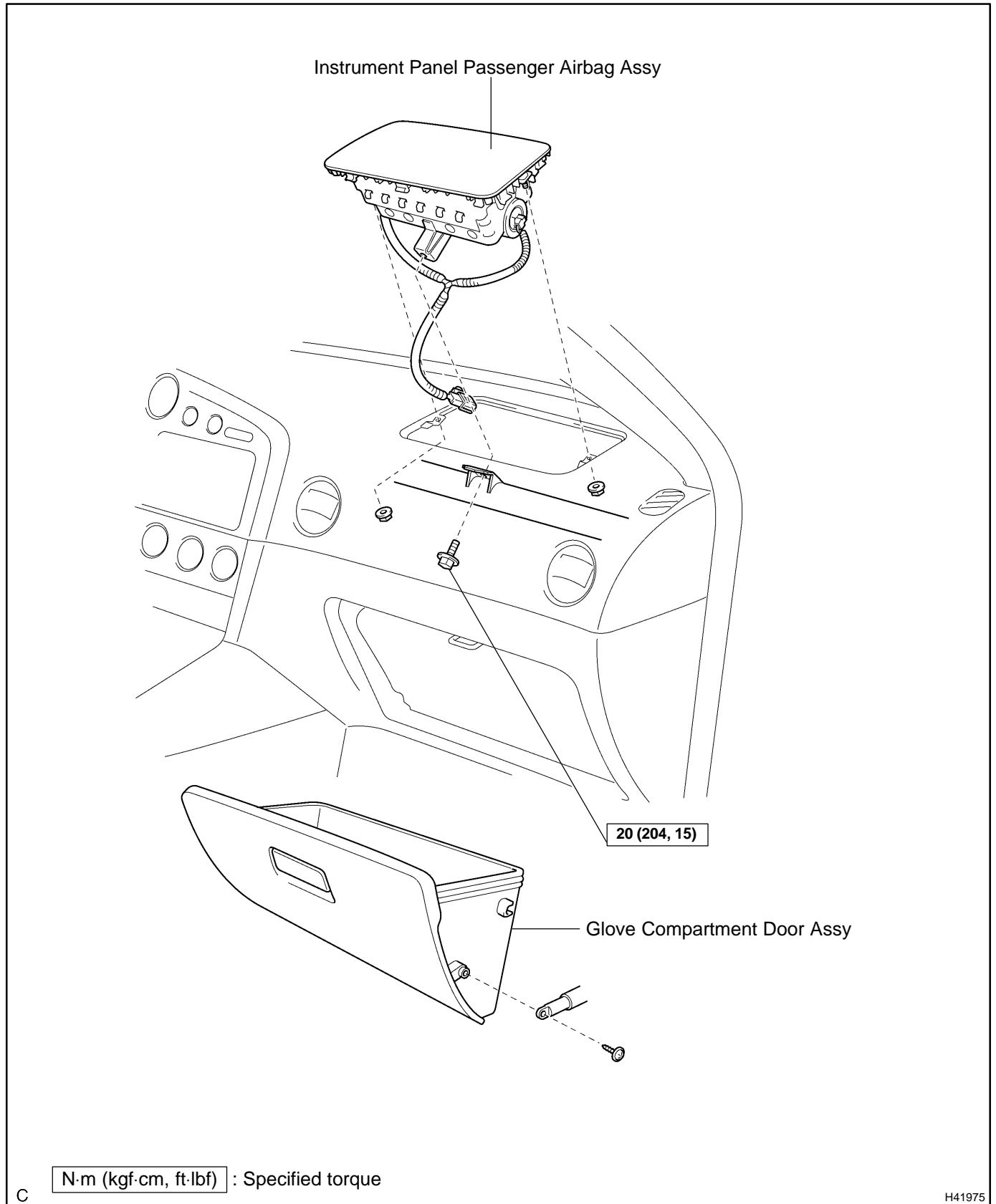


INSTRUMENT PANEL PASSENGER AIR BAG ASSY COMPONENTS

600CF-01



C

N·m (kgf·cm, ft·lbf) : Specified torque

H41975