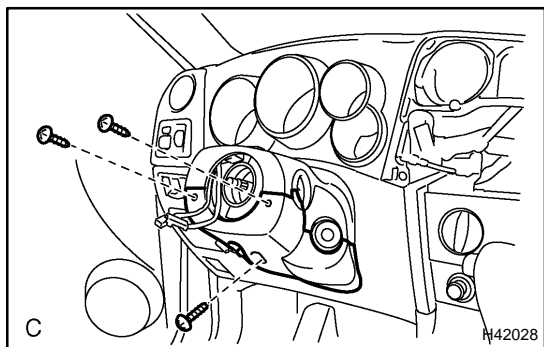


## REPLACEMENT

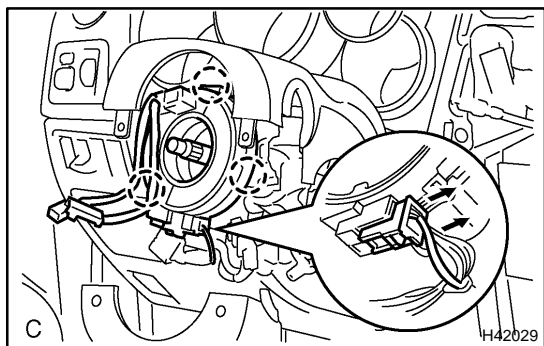
### HINT:

COMPONENTS: See page 60-21

1. **PRECAUTION** (See page 60-1)
2. **SEPARATE BATTERY NEGATIVE TERMINAL** (See page 60-1)
3. **PLACE FRONT WHEELS FACING STRAIGHT AHEAD**
4. **REMOVE HORN BUTTON ASSY** (See page 60-13)
5. **REMOVE STEERING WHEEL ASSY** (See page 50-6)  
SST 09950-50013 (09951-05010, 09952-05010, 09953-05020, 09954-05021)



6. **REMOVE STEERING COLUMN COVER**
  - (a) Remove the 3 screws and steering column lower cover.



7. **REMOVE SPIRAL CABLE SUB-ASSY**
  - (a) Slide the steering column upper cover.
  - (b) Disconnect the airbag connector and connector from the spiral cable sub-assy.
  - (c) Release the 3 claws and remove the spiral cable sub-assy.

8. **INSPECT SPIRAL CABLE SUB-ASSY**
  - (a) Check that the front wheels are facing straight ahead.
9. **PLACE FRONT WHEELS FACING STRAIGHT AHEAD**
  - (a) Set the turn signal switch in neutral position.
10. **INSTALL SPIRAL CABLE SUB-ASSY**
  - (a) If the following condition is identified, replace the spiral cable sub-assy with new one.

### NOTICE:

**Make sure of the neutral position since the pin of the turn signal switch may be snapped.**

- (b) Engage the 3 claws and install the spiral cable sub-assy.

### NOTICE:

**When replacing the spiral cable sub-assy with new one, remove the lock pin before installing the handle.**

- (c) Connect the airbag connector and connector.
- (d) Install the steering column upper cover.

### Condition:

**Scratches or cracks on the connector**

**Cracks, dents or chipping of the spiral cable sub-assy**

11. **INSTALL STEERING COLUMN COVER**

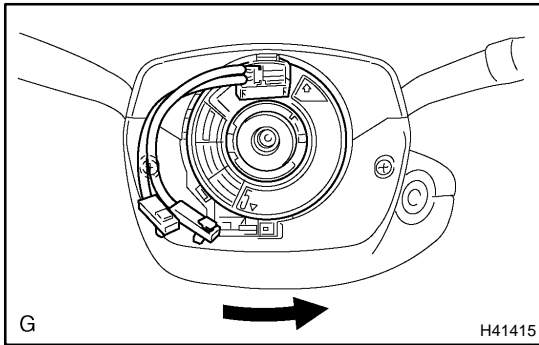
- (a) Install the steering column lower cover with the 3 screws.

**12. CENTER SPIRAL CABLE**

- (a) Check that the ignition switch turn OFF.
- (b) Check that the battery negative terminal is disconnected.

**NOTICE:**

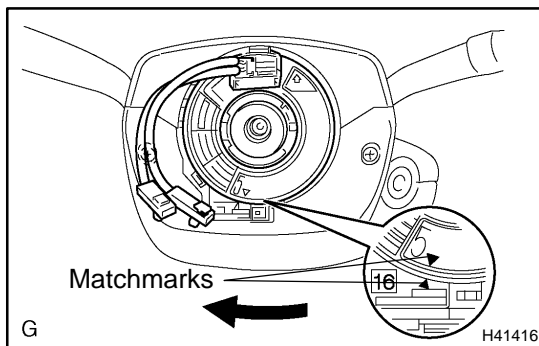
**Do not start the operation for 90 seconds after removing the terminal.**



- (c) Turn the cable counterclockwise by hand until it becomes harder to turn.

**HINT:**

The cable will rotate about 2.5 turns to either left or right of the center.



- (d) Then rotate the cable clockwise about 2.5 turns to align the marks.

- 13. **INSTALL STEERING WHEEL ASSY** (See page 50-6)
- 14. **INSTALL HORN BUTTON ASSY** (See page 60-13)
- 15. **INSPECT HORN BUTTON ASSY** (See page 60-8)
- 16. **INSPECT SRS WARNING LIGHT** (See page 05-543)