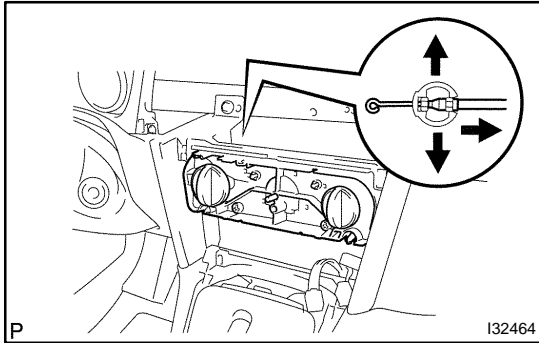


# AIR CONDITIONING CONTROL ASSY

550JB-01

## OVERHAUL

1. REMOVE INSTRUMENT CLUSTER FINISH PANEL SUB-ASSY CENTER (See page 71-10)
2. REMOVE COMBINATION SWITCH ASSY (See page 71-10)



### 3. REMOVE AIR CONDITIONING CONTROL ASSY

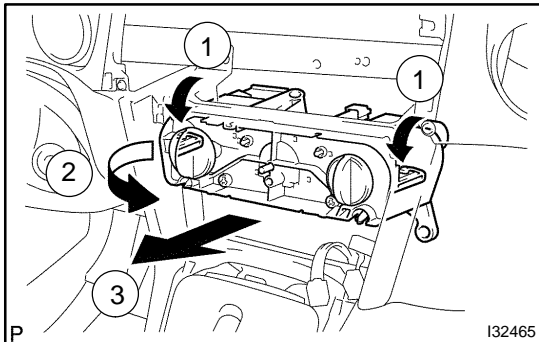
- (a) Using a screwdriver, open the claw of the cable clamp and disconnect the defroster damper control cable.

#### NOTICE:

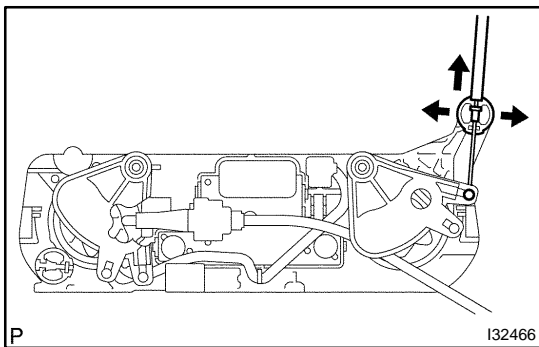
- Be careful not to bend the cable wire.
- If the cable wire bends, the air conditioning control assy operability becomes worse.

#### HINT:

Tape the screwdriver tip before use.



- (b) Release the 2 fitting claws and pull out the air conditioning control assy, as shown in the illustration.



- (c) Using a screwdriver, open the claw of the cable clamp and disconnect the airmix damper control cable.

#### NOTICE:

- Be careful not to bend the cable wire.
- If the cable wire bends, the air conditioning control assy operability becomes worse.

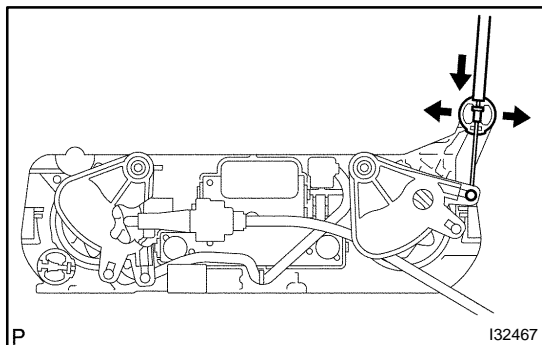
#### HINT:

Tape the screwdriver tip before use.

- (d) Disconnect the connector, remove the air conditioning control assy.

### 4. REMOVE AIR CONDITIONING CONTROL BULB

- (a) Remove the 2 air conditioning control bulbs from the air conditioning control assy.



### 5. INSTALL AIR CONDITIONING CONTROL ASSY

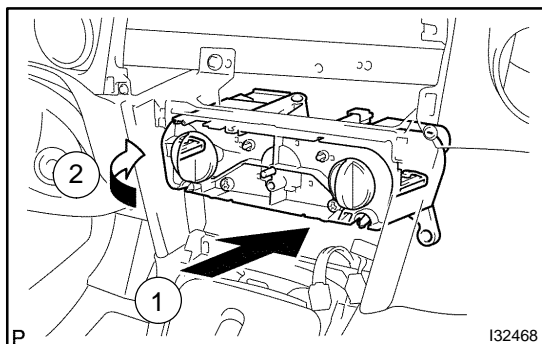
- (a) Install the inner cable end of the air mix damper control cable to the heater control lever.
- (b) Install the outer cable of the airmix damper control cable to the cable clamp.

#### NOTICE:

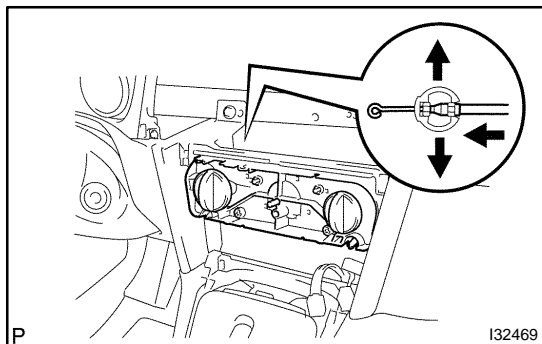
- **Be careful not to bend the cable wire.**
- **If the cable wire bends, the air conditioning control assy operability becomes worse.**

#### HINT:

- Operating the heater control knob and check that it properly stops at both ends of MAX. COOL and MAX. HOT and no recoil is identified.
- Check that the outer cable should not be disengaged (moved) from the air conditioning control assy when the cable is pulled.



- (c) Connect the connector, fit the 2 fitting claws of air conditioning control assy in the instrument panel sub-assy lower hole.



- (d) Install the inner cable end of the defroster damper control cable to the heater control lever.
- (e) Install the outer cable of the defroster damper control cable to the cable clamp.

#### NOTICE:

- **Be careful not to bend the cable wire.**
- **If the cable wire bends, the air conditioning control operability becomes worse.**

#### HINT:

- Operating the heater control knob and check that it properly stops at both ends of FACE and DEF and no recoil is identified.
- Check that the outer cable should not be disengaged (moved) from the air conditioning control assy when the cable is pulled.