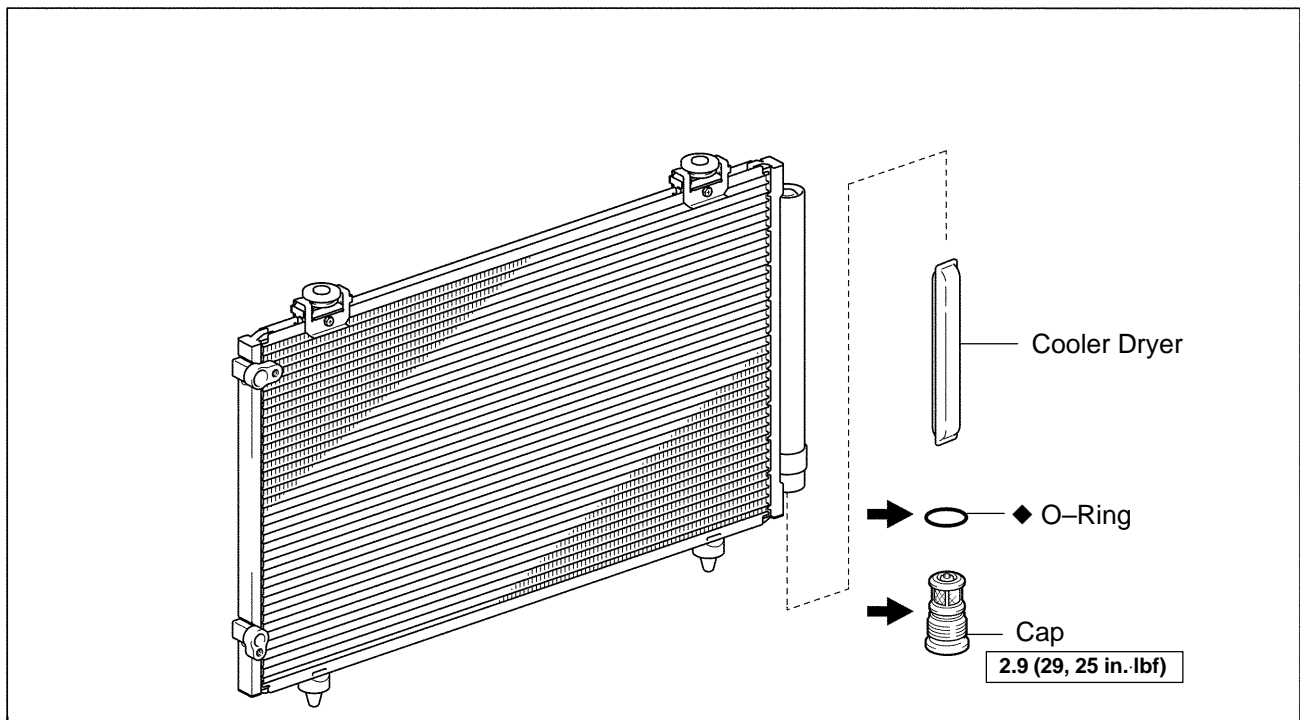
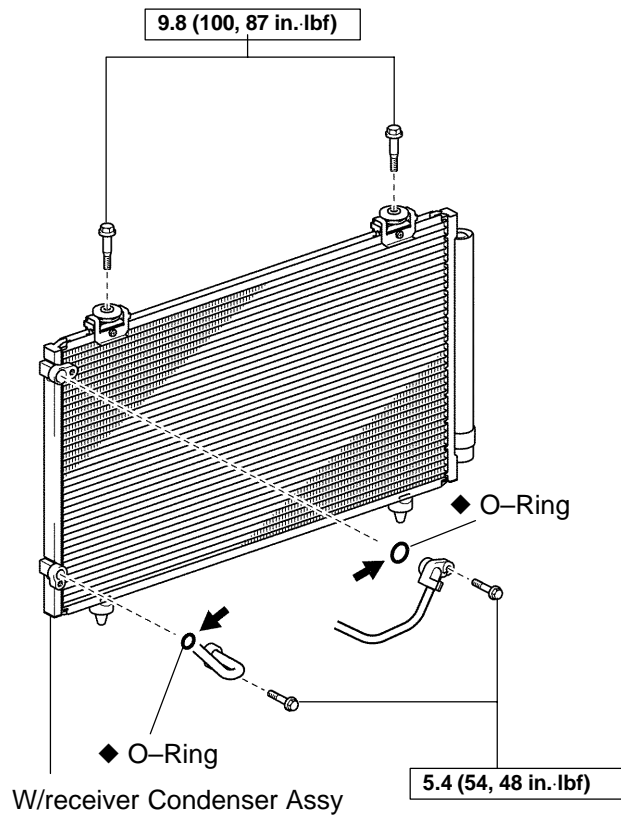


COMPONENTS



N·m (kgf·cm, ft·lbf) : Specified torque

← Compressor Oil ND-OIL 8 or equivalent

◆ Non-reusable part

P2003 COROLLA MATRIX (RM940U)

132505