

FRONT DIFFERENTIAL OIL SEAL (MTM)

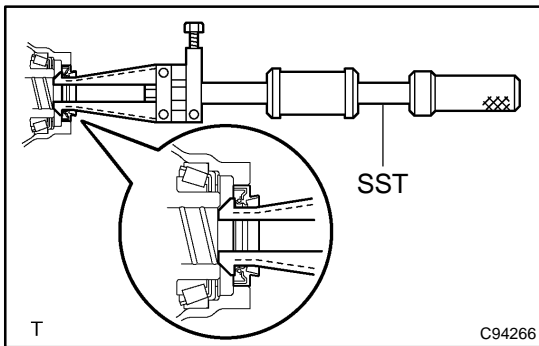
REPLACEMENT

4107R-01

HINT:

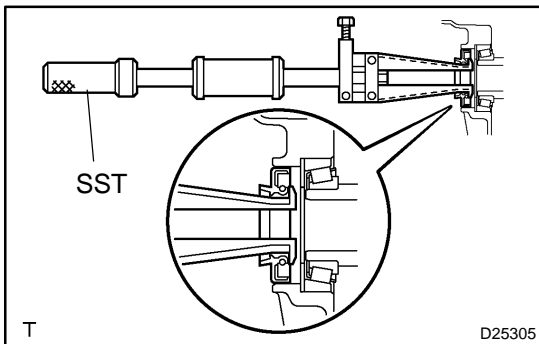
COMPONENTS: See page 41-26 or 41-63

1. DRAIN MANUAL TRANSAXLE OIL
2. REMOVE FRONT WHEELS
3. REMOVE ENGINE UNDER COVER LH
4. REMOVE ENGINE UNDER COVER RH
5. REMOVE FRONT DRIVE SHAFT ASSY LH (See page 30-15 or 30-32)
SST 09520-01010, 09520-24010 (09520-32040)
6. REMOVE FRONT DRIVE SHAFT ASSY RH (See page 30-15 or 30-32)
SST 09520-01010, 09520-24010 (09520-32040)



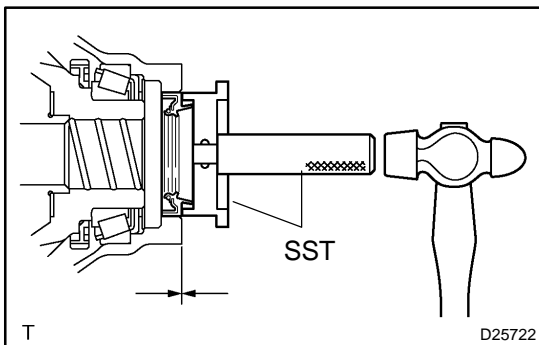
7. REMOVE FRONT TRANSAXLE CASE OIL SEAL

- (a) Using SST, remove the oil seal.
SST 09308-00010



8. REMOVE TRANSMISSION CASE OIL SEAL

- (a) Using SST, remove the oil seal.
SST 09308-00010

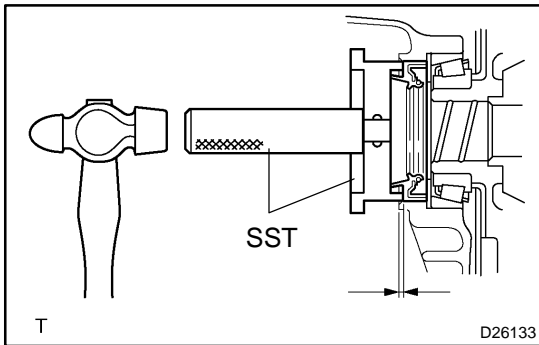


9. INSTALL FRONT TRANSAXLE CASE OIL SEAL

- (a) Coat a new oil seal lip with MP grease.
- (b) Using SST and a hammer, install the oil seal.
SST 09554-14010, 09950-70010 (09951-07200)
Drive in depth: 1.9 ± 0.3 mm (0.075 ± 0.012 in.)

NOTICE:

Be careful not to damage the oil seal lip.

**10. INSTALL TRANSMISSION CASE OIL SEAL**

- (a) Coat a new oil seal lip with MP grease.
- (b) Using SST and a hammer, install the oil seal.
SST 09554-14010, 09950-70010 (09951-07200)

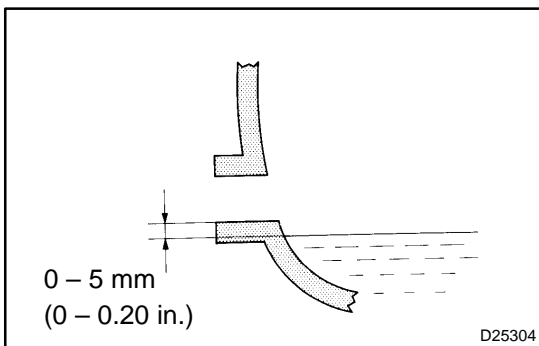
Drive in depth: 9.9 ± 0.3 mm (0.390 ± 0.012 in.)

NOTICE:

Be careful not to damage the oil seal lip.

11. INSTALL FRONT DRIVE SHAFT ASSY LH (See page 30-15 or 30-32)**12. INSTALL FRONT DRIVE SHAFT ASSY RH (See page 30-15 or 30-32)****13. INSTALL FRONT WHEELS**

Torque: 103 N·m (1,050 kgf·cm, 76 ft·lbf)

**14. ADD MANUAL TRANSAXLE OIL**

Oil grade: API GL-4 or GL-5

Viscosity: SAE 75 W-90

Capacity:

C59 T/M: 1.9 liters (2.0 US qts, 1.7 Imp. qts)

C60 T/M: 2.3 liters (2.4 US qts, 2.0 Imp. qts)

Torque: 39.2 N·m (400 kgf·cm, 29 ft·lbf)

15. INSPECT AND ADJUST MANUAL TRANSAXLE OIL (See page 41-2)**16. CHECK ABS SPEED SENSOR SIGNAL (See page 05-316)**