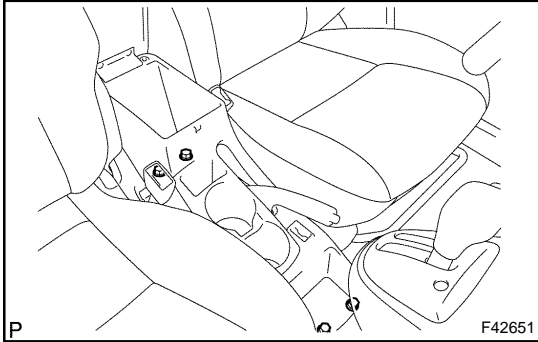


## REPLACEMENT

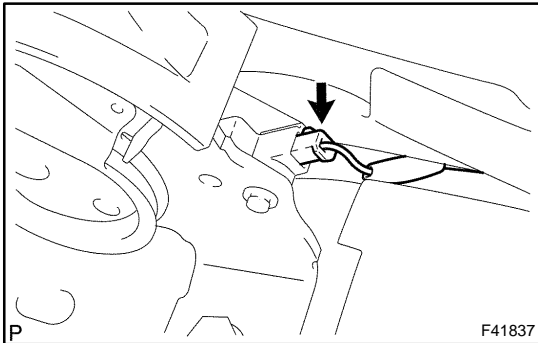
### 1. REMOVE CONSOLE BOX ASSY REAR

- (a) Remove the console box insert and console box damper RR.
- (b) Remove the 4 bolts.
- (c) Disconnect the connector, and remove the console box assy rear.

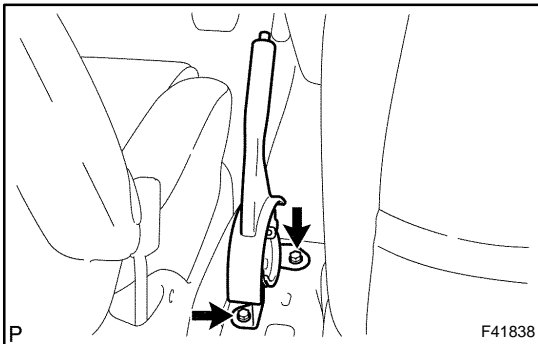


### 2. REMOVE PARKING BRAKE LEVER SUB-ASSY

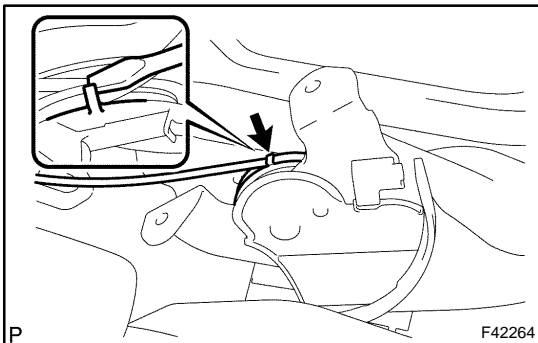
- (a) Disconnect the parking brake switch connector from the parking brake switch.
- (b) Remove the lock nut and adjusting nut from the parking brake cable assy No.1.

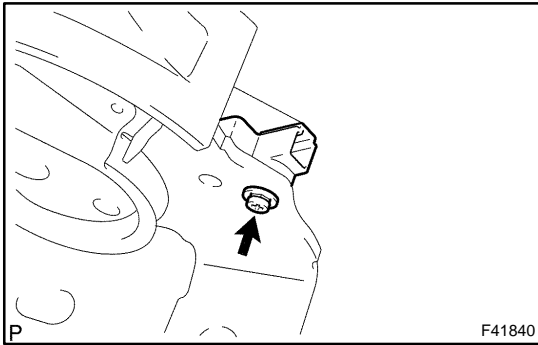


- (c) Remove the 2 bolts.



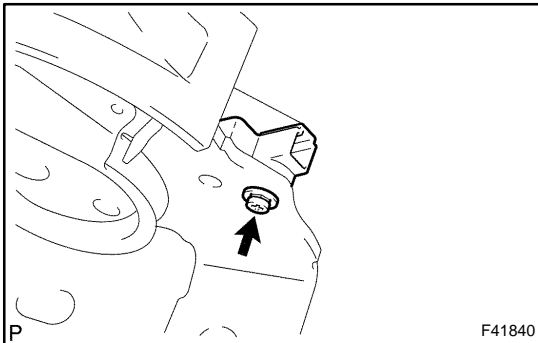
- (d) Using a screwdriver, raise the pick on the parking brake lever, and remove the parking brake cable assy No.1 from the parking brake lever.
- (e) Remove the parking brake lever from the body.





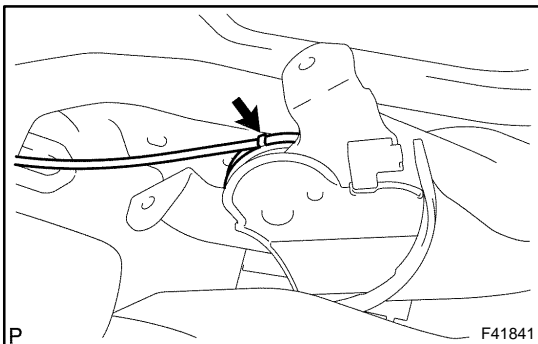
### 3. REMOVE PARKING BRAKE SWITCH ASSY

- (a) Remove the screw and parking brake switch assy.



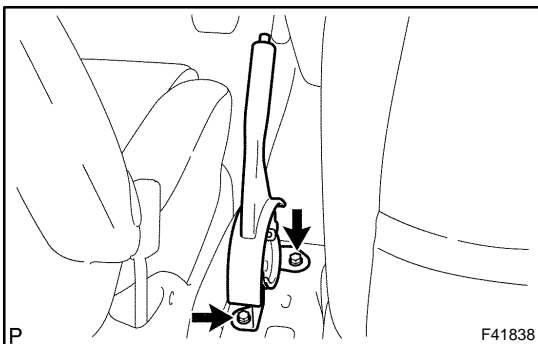
### 4. INSTALL PARKING BRAKE SWITCH ASSY

- (a) Install the parking brake switch to the parking brake lever sub-assy with the screw.

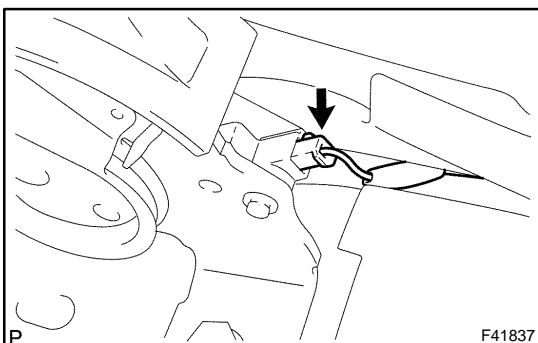


### 5. INSTALL PARKING BRAKE LEVER SUB-ASSY

- (a) Install the parking brake cable assy No.1 to the parking brake lever, temporarily tighten the adjusting nut and lock nut.  
 (b) Using a screwdriver, fix the parking brake cable No.1 to the pick.



- (c) Install the parking brake lever with the 2 bolts.  
**Torque: 12.5 N·m (130 kgf·cm, 9 ft·lbf)**



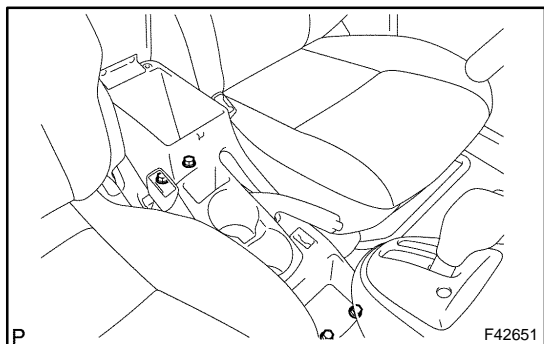
- (d) Connect the parking brake switch connector to the parking brake switch.

6. **INSPECT PARKING BRAKE LEVER TRAVEL (See page 33-2)**

7. **ADJUST PARKING BRAKE LEVER TRAVEL (See page 33-2)**

8. **INSTALL CONSOLE BOX ASSY REAR**

(a) Connect the connector to the console box assy rear.



(b) Install the console box assy with the 4 bolts.

(c) Install the console box insert and console box damper RR.