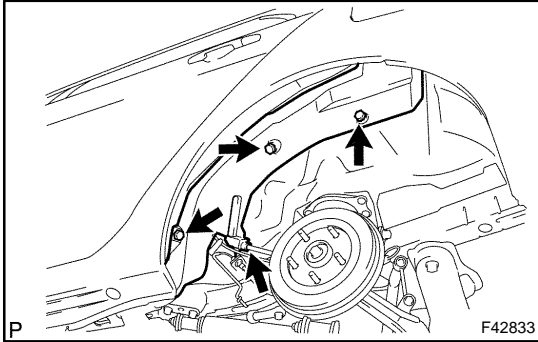


SPEED SENSOR REAR LH (4WD)

REPLACEMENT

320JI-01

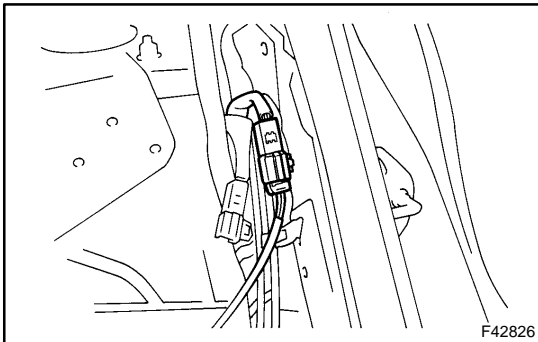
1. REMOVE REAR WHEEL



2. REMOVE FUEL TANK FILLER PIPE PROTECTOR

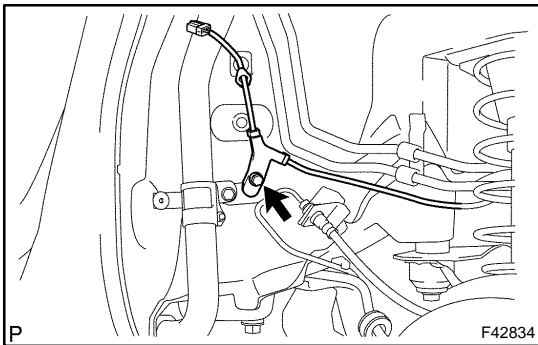
- (a) Remove the 3 bolts, then remove the fuel tank filler pipe protector LH.

3. REMOVE REAR SEAT BACK ASSY LH (See page 72-10)



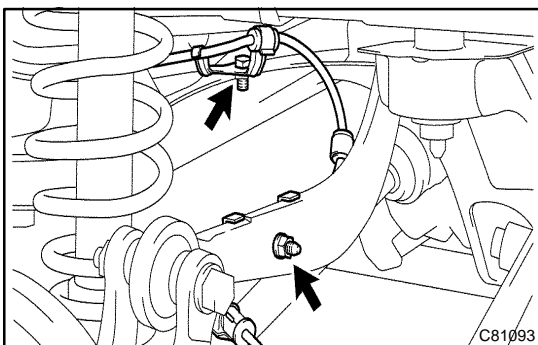
4. DISCONNECT SPEED SENSOR REAR LH

- (a) Disconnect the speed sensor connector, and pull out the sensor wire harness with grommet.

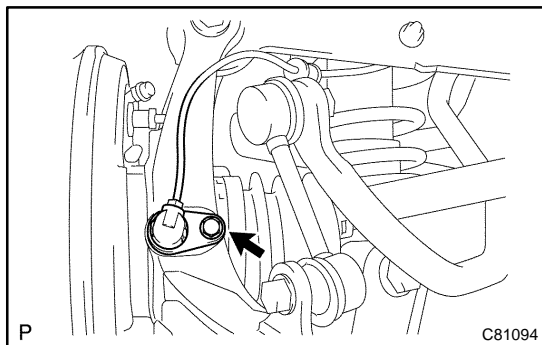


5. REMOVE SPEED SENSOR REAR LH

- (a) Remove the bolt from the body.



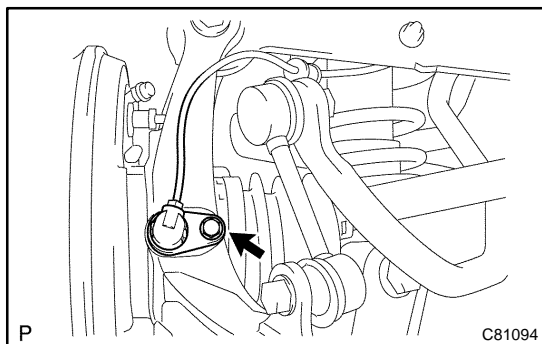
- (b) Remove the bolt and nut from the suspension member and upper arm.



- (c) Remove the bolt from the knuckle, and remove the speed sensor rear LH.

NOTICE:

Keep on the sensor tip clean.

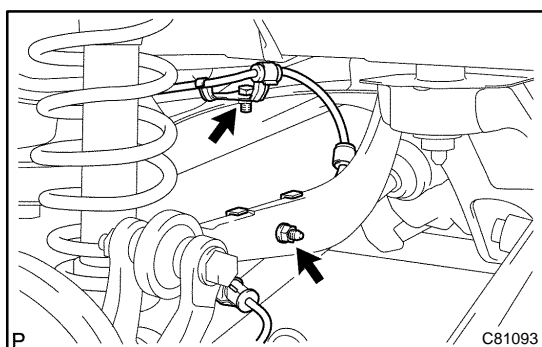
**6. INSTALL SPEED SENSOR REAR LH**

- (a) Install the speed sensor rear LH with the bolt to knuckle.

NOTICE:

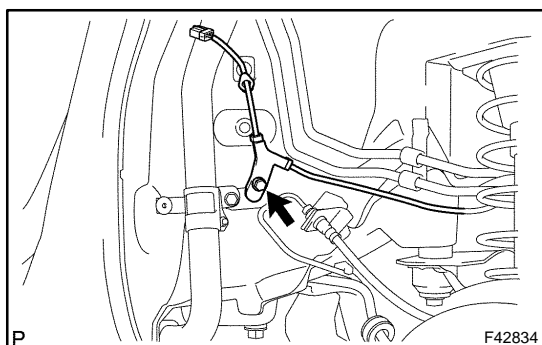
Make sure the sensor tip is clean.

Torque: 8.0 N·m (82 kgf·cm, 71 in·lbf)



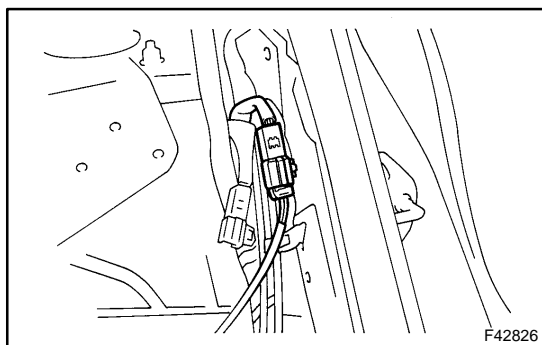
- (b) Install the clamp with the bolt and nut to the upper arm and suspension member.

Torque: 5.0 N·m (51 kgf·cm, 44 in·lbf)

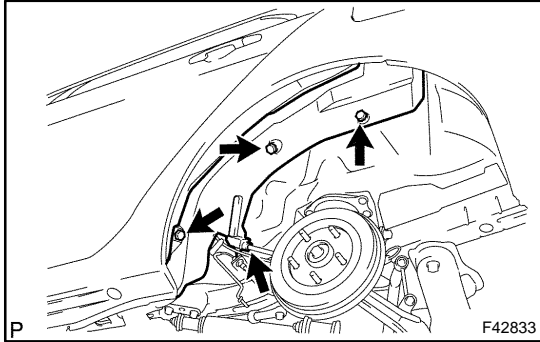


- (c) Install the clamp with the bolt to the body, and install the grommet to the body.

Torque: 5.0 N·m (51 kgf·cm, 44 in·lbf)

**7. CONNECT SPEED SENSOR REAR LH**

- (a) Push in the wire harness with grommet, and connect the speed sensor connector.

8. INSTALL REAR SEAT BACK ASSY LH (See page 72-10)**9. INSTALL FUEL TANK FILLER PIPE PROTECTOR**

- (a) Install the fuel tank filler pipe protector with the 3 bolts.

10. INSTALL REAR WHEEL

Torque: 103 N·m (1,050 kgf·cm, 76 ft·lbf)

11. CHECK ABS SPEED SENSOR SIGNAL (See page 05-316)