

SPEED SENSOR FRONT LH

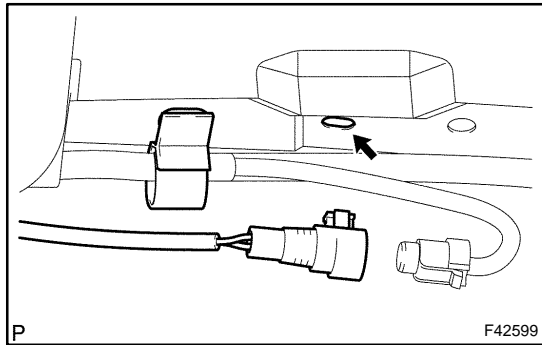
REPLACEMENT

320JG-01

HINT:

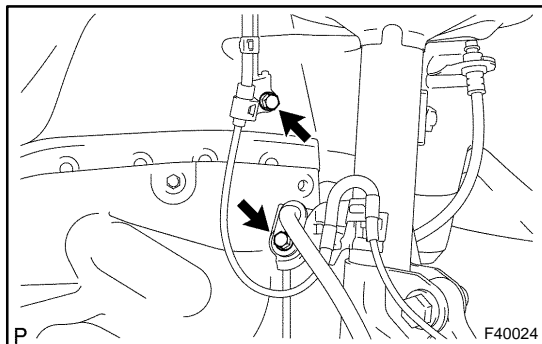
Replace the RH side by the same procedure as the LH side.

1. REMOVE FRONT WHEEL
2. REMOVE FRONT FENDER LINER LH

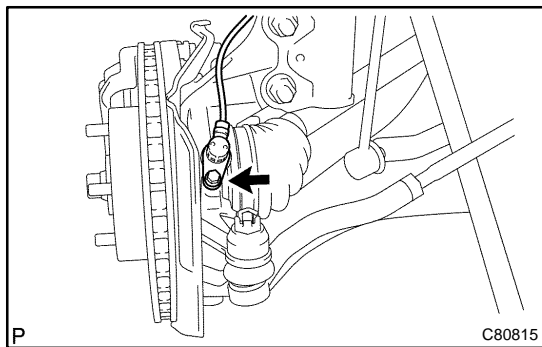


3. REMOVE SPEED SENSOR FRONT LH

- (a) Disconnect the speed sensor wire harness clamp from the body.
- (b) Disconnect the speed sensor connector.



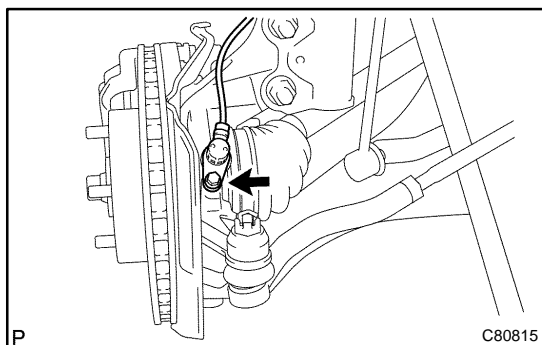
- (c) Remove the 2 clamp bolts holding the sensor harness from the body and shock absorber.



- (d) Remove the bolt and speed sensor front LH.

NOTICE:

Keep on the sensor tip clean.

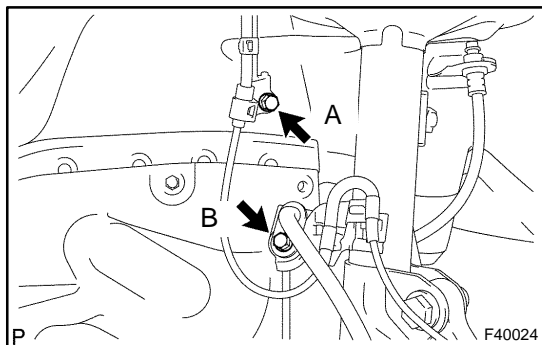


4. INSTALL SPEED SENSOR FRONT LH

- (a) Install the speed sensor front LH with the bolt.
Torque: 8.0 N·m (82 kgf·cm, 71 in.-lbf)

NOTICE:

Make sure the sensor tip is clean.

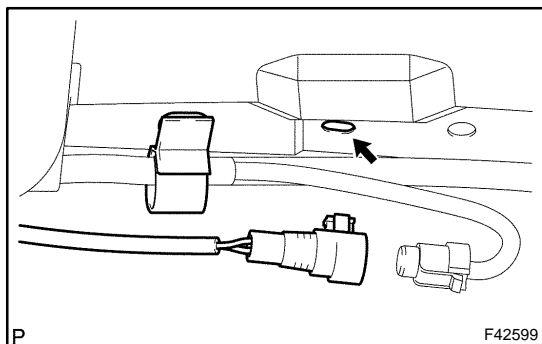


- (b) Install the sensor harness clamp with the 2 bolts "A" and "B" to the body and shock absorber.

Torque:

Bolt A: 8.0 N·m (82 kgf·cm, 71 in·lbf)

Bolt B: 29 N·m (296 kgf·cm, 21 ft·lbf)



- (c) Connect the speed sensor connector.
 (d) Connect the speed sensor wire harness clamp to the body.

5. INSTALL FRONT FENDER LINER LH

6. INSTALL FRONT WHEEL

Torque: 103 N·m (1,050 kgf·cm, 76 ft·lbf)

7. CHECK ABS SPEED SENSOR SIGNAL (See page [05-316](#))