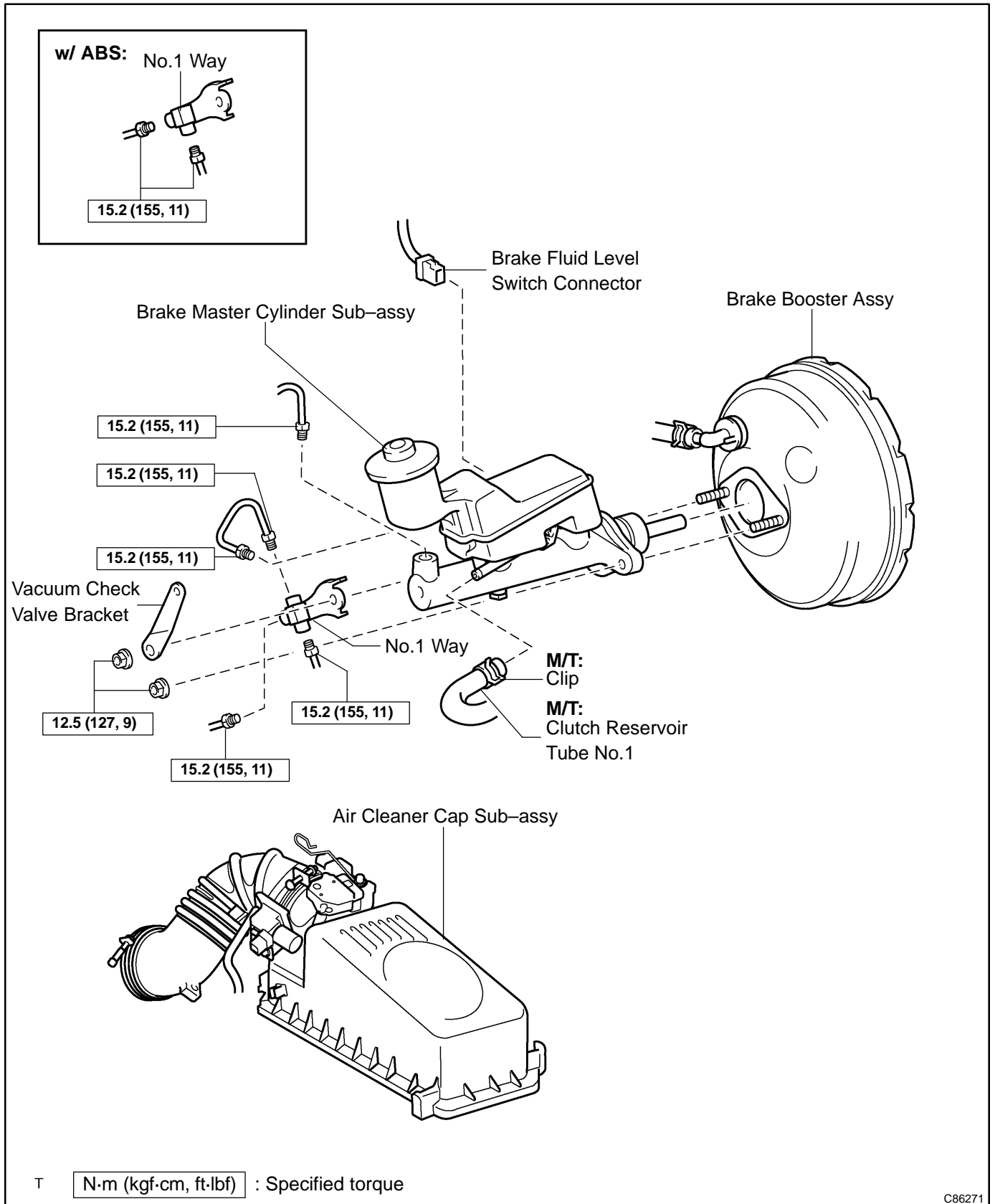


BRAKE MASTER CYLINDER SUB-ASSY COMPONENTS

3201Z-01



C86271

