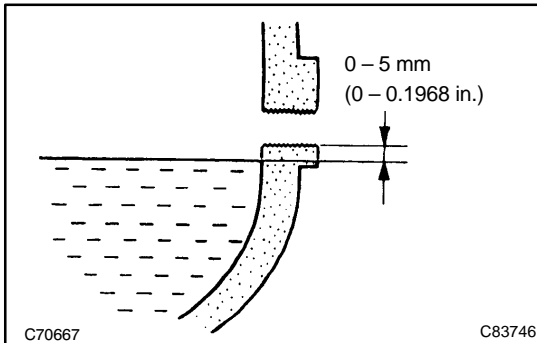


TRANSFER OIL (U341F)

ADJUSTMENT

3102D-01



1. INSPECT TRANSFER OIL

- (a) Remove the No.2 plug and gasket.
- (b) Check the oil level is within 0 – 5 mm (0 – 0.1968 in.) down from the lowest end of the hole for No.2 plug.

NOTICE:

- **When changing oil, recheck the oil level after driving.**
- **Excessively large or small quantity of oil may cause some trouble.**

- (c) When the oil level is too low, check for oil leakage.

- (d) Tighten the No.2 plug with a new gasket.

Torque: 49 N·m (500 kgf·cm, 36 ft·lbf)

2. ADJUST TRANSFER OIL

- (a) Remove the No.2 plug and gasket, and supply oil.

NOTICE:

- **When supplying oil, pour it slowly.**
- **Repeat supplying oil several times at several minutes interval.**

HINT:

Within 0 – 5 mm (0 – 0.1968 in.) down from the lowest end of the hole for the No.2 plug.

- (b) After leaving it alone for 5 min., check the oil level again.

- (c) Tighten the No.2 plug with a new gasket.

Torque: 49 N·m (500 kgf·cm, 36 ft·lbf)