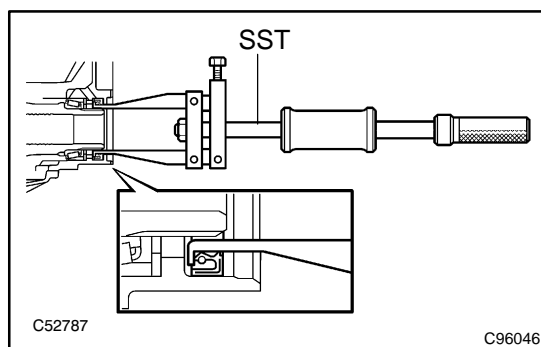


# TRANSFER CASE OIL SEAL (U341F)

## REPLACEMENT

1. REMOVE ENGINE ASSEMBLY WITH TRANSAXLE (See page 14-30)
2. SEPARATE VANE PUMP ASSY (See page 14-30)
3. REMOVE RACK & PINION POWER STEERING GEAR ASSY (See page 51-22)
4. REMOVE FRONT SUSPENSION CROSSMEMBER W/CENTER MEMBER (See page 14-30)
5. REMOVE MANIFOLD STAY (See page 14-30)
6. REMOVE OXYGEN SENSOR (See page 14-30)
7. REMOVE EXHAUST MANIFOLD HEAT INSULATOR NO.1 (See page 14-30)
8. REMOVE EXHAUST MANIFOLD (See page 14-30)
9. REMOVE FRONT DRIVE SHAFT ASSY RH (See page 30-15)
10. REMOVE TRANSVERSE ENGINE ENGINE MOUNTING BRACKET (See page 14-30)
11. REMOVE TRANSFER STIFFENER PLATE CENTER (See page 14-30)
12. REMOVE TRANSFER STIFFENER PLATE RH (See page 14-30)
13. REMOVE TRANSFER ASSY (See page 31-11)

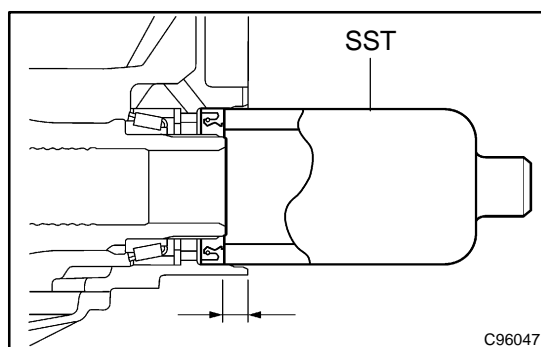


### 14. REMOVE TRANSFER CASE OIL SEAL

- (a) Using SST, remove the oil seal from the case.  
SST 09308-00010

#### NOTICE:

Do not damage the oil-seal fitted surface of the case.



### 15. INSTALL TRANSFER CASE OIL SEAL

- (a) Using SST, drive a new oil seal into the case to the position shown in the illustration.

SST 09316-60011 (09316-00011)

Drive in depth: 9.7 - 10.3 mm (0.3819 - 0.4055 in.)

#### NOTICE:

Do not install the oil seal obliquely.

- (b) Apply small amount of MP grease to the lip of the oil seal.

16. INSTALL TRANSFER ASSY (See page 31-11)
17. INSTALL TRANSFER STIFFENER PLATE RH (See page 31-11)
18. INSTALL TRANSFER STIFFENER PLATE CENTER (See page 31-11)
19. INSTALL TRANSVERSE ENGINE ENGINE MOUNTING BRACKET (See page 14-30)
20. INSTALL FRONT DRIVE SHAFT ASSY RH (See page 30-15)
21. INSTALL EXHAUST MANIFOLD (See page 14-30)
22. INSTALL EXHAUST MANIFOLD HEAT INSULATOR NO.1 (See page 14-30)
23. INSTALL OXYGEN SENSOR (See page 14-30)
24. INSTALL MANIFOLD STAY (See page 14-30)
25. INSTALL FRONT SUSPENSION CROSSMEMBER W/CENTER MEMBER (See page 14-30)

26. **INSTALL RACK & PINION POWER STEERING GEAR ASSY (See page 14-30)**  
SST 09023-38200
27. **INSTALL VANE PUMP ASSY (See page 14-30)**
28. **INSTALL ENGINE ASSEMBLY WITH TRANSAXLE (See page 14-30)**  
SST 09670-00010
29. **ADD TRANSFER OIL (See page 31-3)**
30. **ADD AUTOMATIC TRANSAXLE FLUID (See page 40-2)**
31. **ADD ENGINE OIL**
32. **ADD COOLANT (See page 16-6)**
33. **CHECK ENGINE OIL LEAK**
34. **CHECK ENGINE COOLANT LEAK**
35. **CHECK FUEL LEAK**
36. **CHECK EXHAUST GAS LEAK**
37. **CHECK IDLE SPEED AND IGNITION TIMING (See page 14-1)**  
SST 09843-18030, 09843-18040
38. **INSPECT CO/HC (See page 14-1)**
39. **INSPECT AND ADJUST FRONT WHEEL ALIGNMENT (See page 26-6)**
40. **CHECK ABS SPEED SENSOR SIGNAL (See page 05-316)**