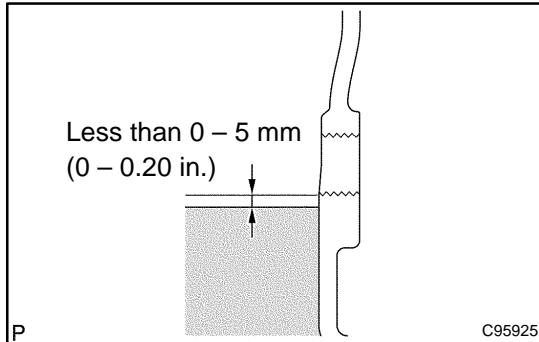


# DIFFERENTIAL OIL (4WD)

## ADJUSTMENT

2904M-01



### 1. INSPECT AND ADJUST DIFFERENTIAL OIL

- (a) Remove the filler plug and gasket.
- (b) Remove the drain plug and gasket, and drain the oil.
- (c) Reinstall the drain plug with a new gasket.

**Torque: 39 N·m (398 kgf·cm, 29 ft·lbf)**

- (d) Fill new differential oil as shown in the illustration.

**Capacity: 0.5 liter (0.52 US qts, 0.44 Imp. qts)**

**Oil grade: Hypoid gear oil API GL-5**

### Recommended oil viscosity:

Above -18°C (0°F)	SAE 90
Below -18°C (0°F)	SAE 80W or 80W-90

- (e) Reinstall the filler plug with a new gasket.

**Torque: 39 N·m (398 kgf·cm, 29 ft·lbf)**

### 2. ADD DIFFERENTIAL OIL