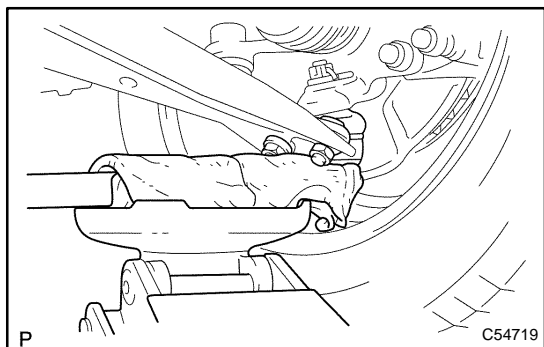


LOWER BALL JOINT ASSY FRONT LH REPLACEMENT

2607Y-03

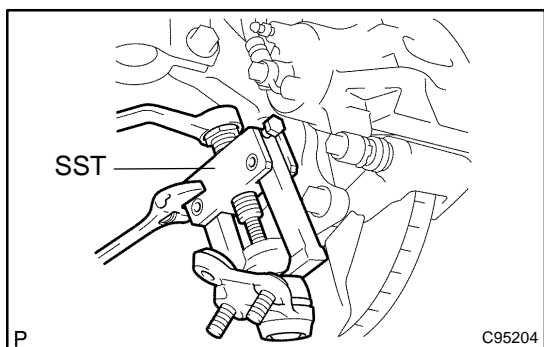
HINT:

COMPONENTS: See page 26-3.

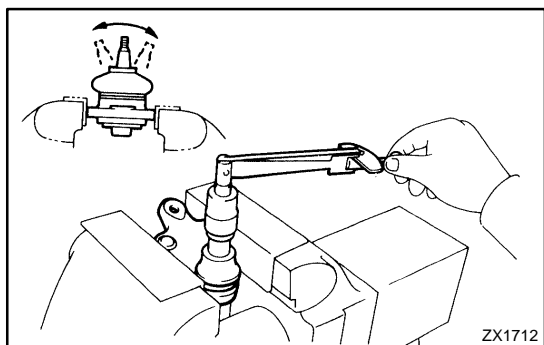


1. **INSPECT LOWER BALL JOINT ASSY FRONT LH**
 - (a) Jack up front side of the vehicle.
 - (b) Check the rattle of the lower ball joint assy front LH.

2. **REMOVE FRONT WHEEL**
3. **REMOVE FRONT AXLE HUB LH NUT**(See page 30-15 or 30-32)
SST 09930-00010
4. **DISCONNECT SPEED SENSOR FRONT LH (W/ ABS)**(See page 30-15 or 30-32)
5. **SEPARATE TIE ROD END SUB-ASSY LH**(See page 30-15 or 30-32)
SST 09628-62011
6. **SEPARATE FRONT SUSPENSION ARM SUB-ASSY LOWER NO.1 LH**(See page 30-15 or 30-32)
7. **SEPARATE FRONT AXLE ASSY LH**(See page 30-15 or 30-32)



8. **REMOVE LOWER BALL JOINT ASSY FRONT LH**
 - (a) Remove the cotter pin and castle nut.
 - (b) Using SST, remove the lower ball joint assy from the steering knuckle LH.
SST 09628-62011



9. **INSPECT LOWER BALL JOINT ASSY FRONT LH**
 - (a) As shown in the illustration, flip the ball joint stud back and forth 5 times, before installing the nut.
 - (b) Using a torque wrench, turn the nut continuously at a rate of 3 – 5 seconds per 1 turn and take the torque reading on the 5th turn.

Turning torque:**0.98 – 4.9 N·m (10 – 50 kgf·cm, 8.7 – 43 in.·lbf)**

10. **INSTALL LOWER BALL JOINT ASSY FRONT LH**
 - (a) Install the lower ball joint assy front LH to the steering knuckle LH, tighten the castle nut.
Torque: 103 N·m (1050 kgf·cm, 76 ft·lbf)
 - (b) Install a new cotter pin.
11. **INSTALL FRONT AXLE ASSY LH(See page 30-15 or 30-32)**
12. **INSTALL FRONT SUSPENSION ARM SUB-ASSY LOWER NO.1 LH(See page 30-15 or 30-32)**
13. **INSTALL TIE ROD END SUB-ASSY LH(See page 30-15 or 30-32)**
14. **INSTALL SPEED SENSOR FRONT LH (W/ ABS)(See page 30-15 or 30-32)**
15. **INSTALL FRONT AXLE HUB LH NUT(See page 30-15 or 30-32)**
SST 09931-00020
16. **INSTALL FRONT WHEEL**
Torque: 103 N·m (1,050 kgf·cm, 76 ft·lbf)
17. **INSPECT AND ADJUST FRONT WHEEL ALIGNMENT(See page 26-6)**
18. **CHECK ABS SPEED SENSOR SIGNAL (W/ ABS)(See page 05-316)**