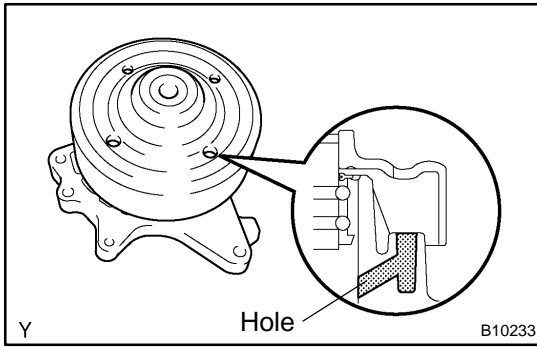


INSPECTION



1. INSPECT WATER PUMP ASSY

- (a) Visually check the drain hole for coolant leakage.