

VEHICLE LIFT AND SUPPORT LOCATIONS

1. NOTICE ABOUT VEHICLE CONDITION WHEN JACKING UP

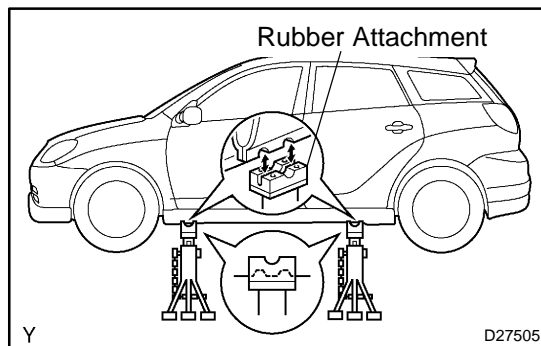
- (a) As a rule, the vehicle must be unloaded when jacking up. Never jack up or lift up the vehicle loaded with things of heavy weight.
- (b) When removing any parts of heavy weight like the engine and transmission, the center of gravity of the vehicle moves. Place a balance weight so as to keep it from rolling, or hold the jacking support location using the mission jack.

2. NOTICE FOR USING 4 POST LIFT

- (a) Follow the instruction manual for a safety operation.
- (b) Do not damage tires or wheels with a free wheel beam.
- (c) Using a wheel stopper, fix the vehicle.

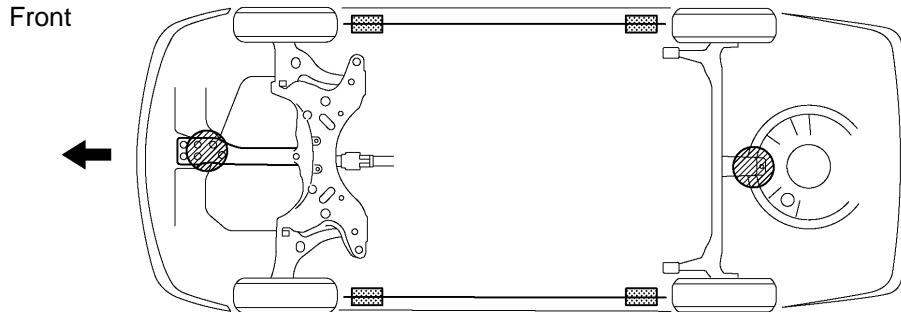
3. NOTICE FOR USING JACK AND SAFETY STAND

- (a) Work in the flat place using a wheel stopper at all times.

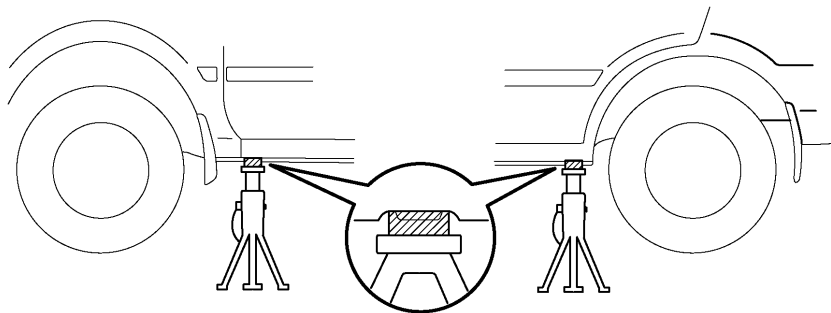
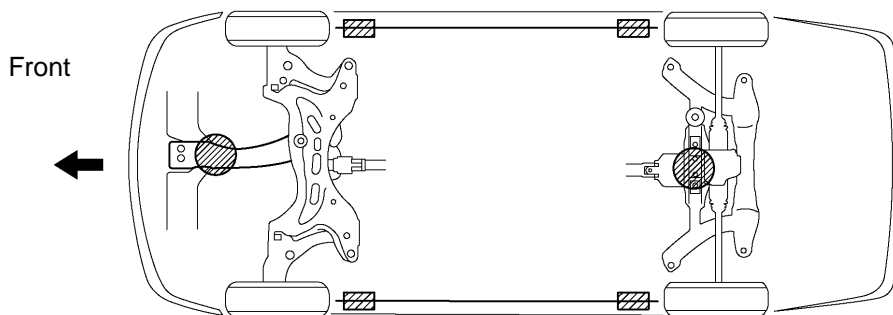


- (b) Use a rigid rack with a rubber attachment, as shown in the illustration.
 - (c) Support the specified location with a jack and safety stand accurately.
 - (d) When jacking up the front wheels, release the parking brake and place wheel stoppers only behind the rear wheels. When jacking up the rear wheels, place wheel stoppers only in front of the front wheels.
 - (e) Do not work or leave the vehicle supported only by a jack. Be sure to support the vehicle with a safety stand.
 - (f) When jacking up only the front wheels or only the rear wheels, place wheel stoppers to both sides of the wheels that contact ground.
 - (g) When jacking down the vehicle with its front wheels jacked up, release the parking brake and place wheel stoppers only in front of the rear wheels. When jacking down the vehicle with its rear wheel jacked up, place wheel stoppers only behind the front wheels.
- ### 4. NOTICE FOR USING PLATE TYPE LIFT
- (a) Follow the instruction manual of the lift for a safe operation.
 - (b) Use a plate lift attachment.
 - (c) Be sure to set the vehicle to the specified position.
 - (d) Lift the vehicle up until the tires float a bit, and shake the vehicle to make sure that the vehicle is stable.

2WD



4WD



JACK POSITION _____ ●

Front - - - - - Front crossmember

Rear - - - - - Rear axle beam (2WD), Rear differential carrier (4WD)

CAUTION : When jacking up the rear and front, make sure the car is not carrying any extra weight.

PANTOGRAPH JACK POSITION _____ ○

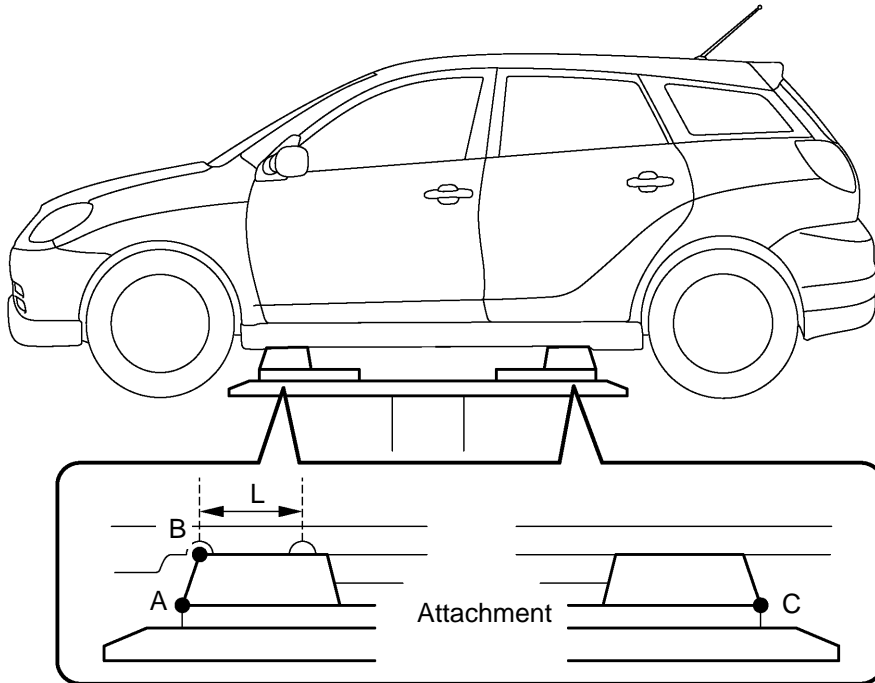
SUPPORT POSITION _____ ▨

Safety stand and swing arm type lift

Y

D27367

PLATE TYPE LIFT



HINT:

- | | |
|-----------------------------|--|
| Left and right set position | Place the vehicle over the center of the lift. |
| Front and rear set position | <ul style="list-style-type: none"> ● Align the cushion gum ends of the plate with the attachment lower ends (A, C). ● Align the attachment upper end (B) with the front jack supporting point (L). |

Attachment dimensions

