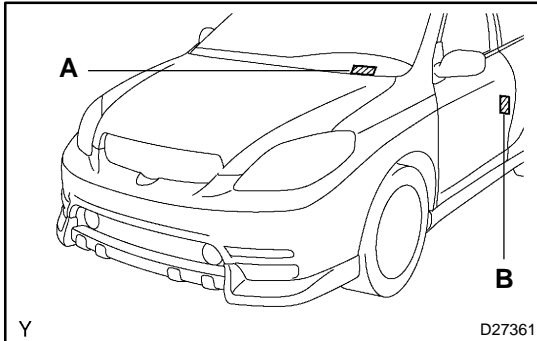


IDENTIFICATION INFORMATION

VEHICLE IDENTIFICATION AND SERIAL NUMBERS

01031-03

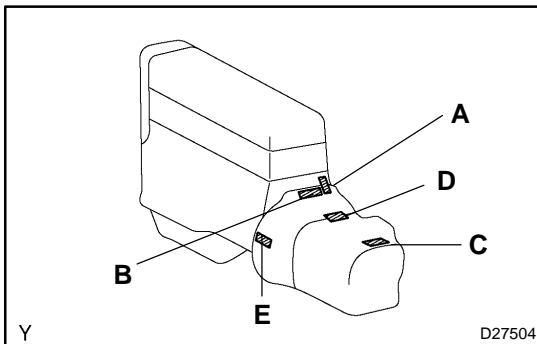


1. VEHICLE IDENTIFICATION NUMBER

- (a) The vehicle identification number is stamped on the vehicle identification number plate and certification label, as shown in the illustration.

A: Vehicle Identification Number Plate

B: Certification Label



2. ENGINE SERIAL NUMBER AND TRANSAXLE SERIAL NUMBER

- (a) The engine serial number is stamped on the cylinder block of the engine, and the transaxle serial number is stamped on the housing, as shown in the illustration.

A: 1ZZ-FE, 2ZZ-GE

B: C59, C60

C: A246E

D: U240E

E: U341F